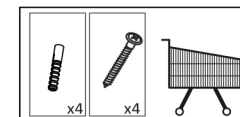
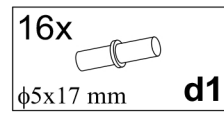
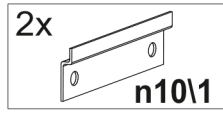
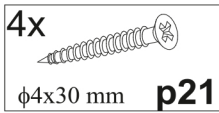
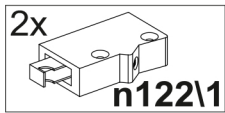
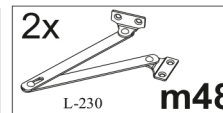
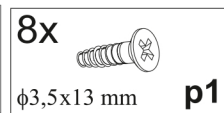
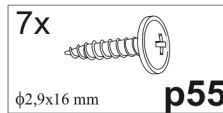
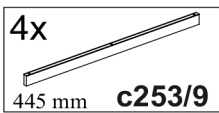
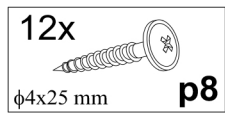
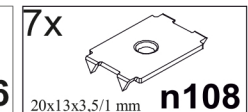
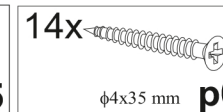
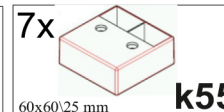
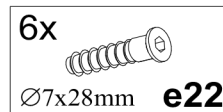
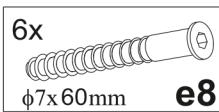
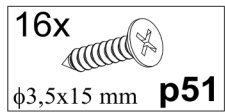
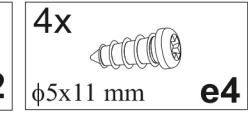
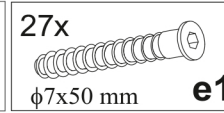
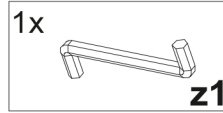
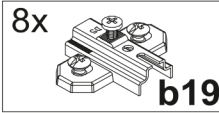
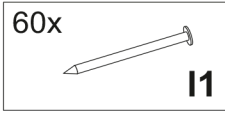
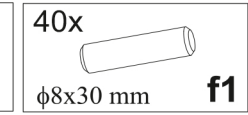
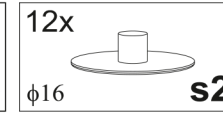
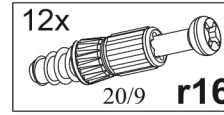
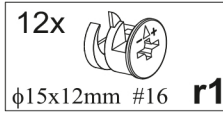
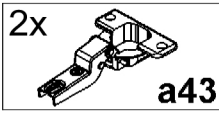
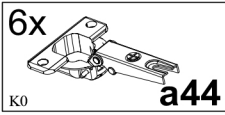
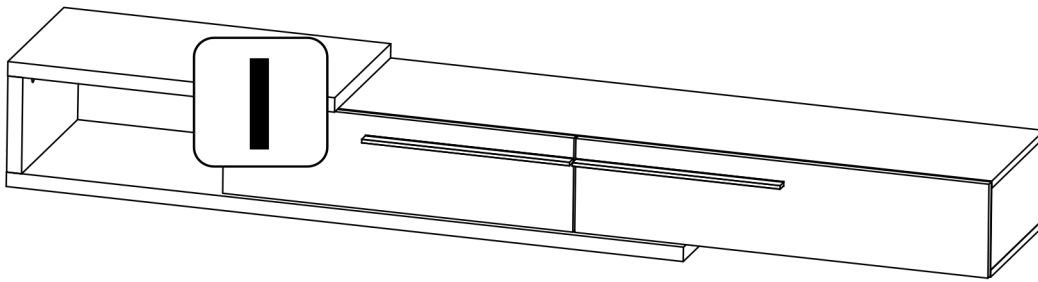
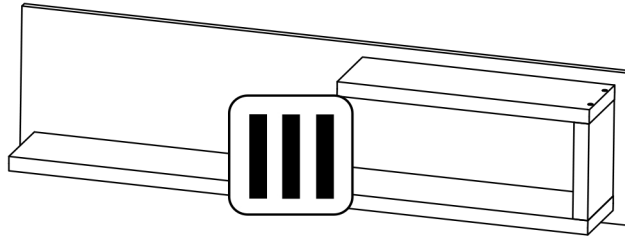
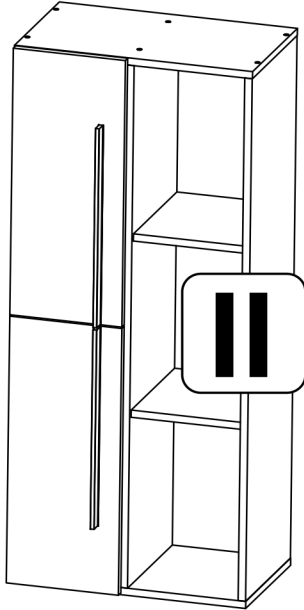
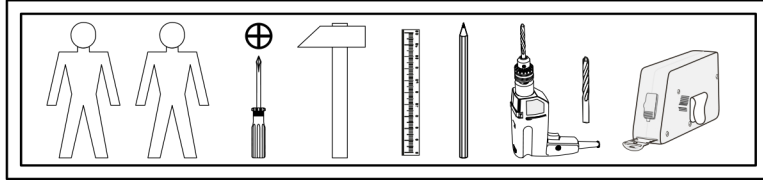


# Calvados

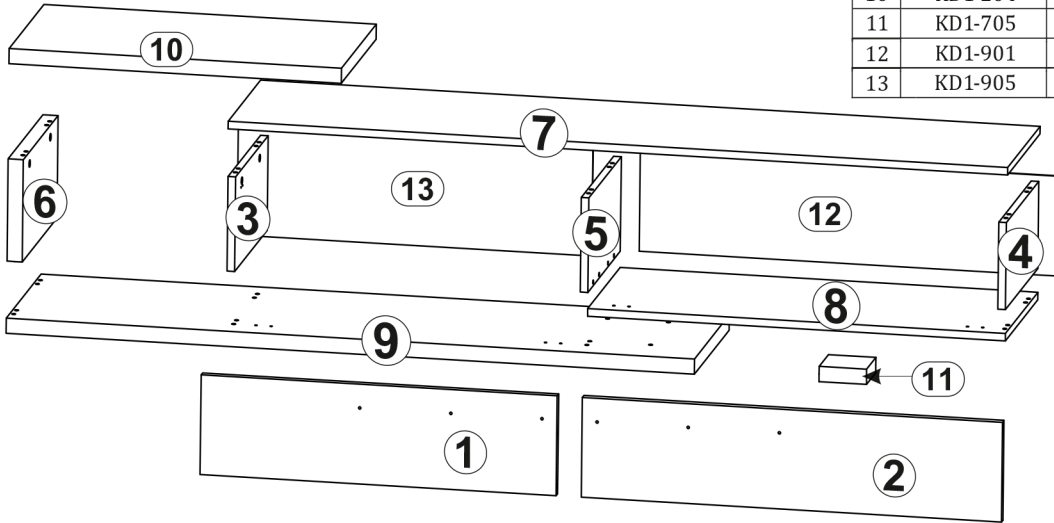


# I

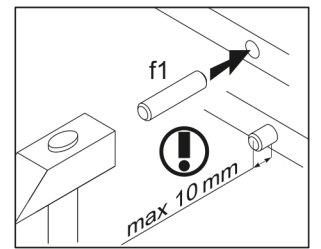
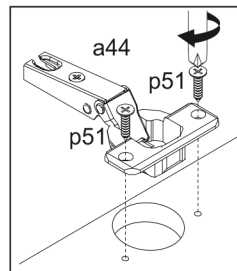
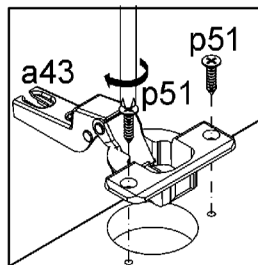
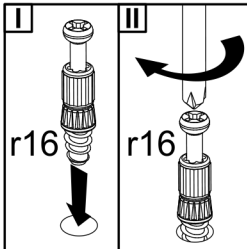
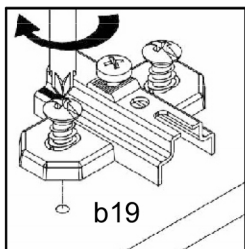
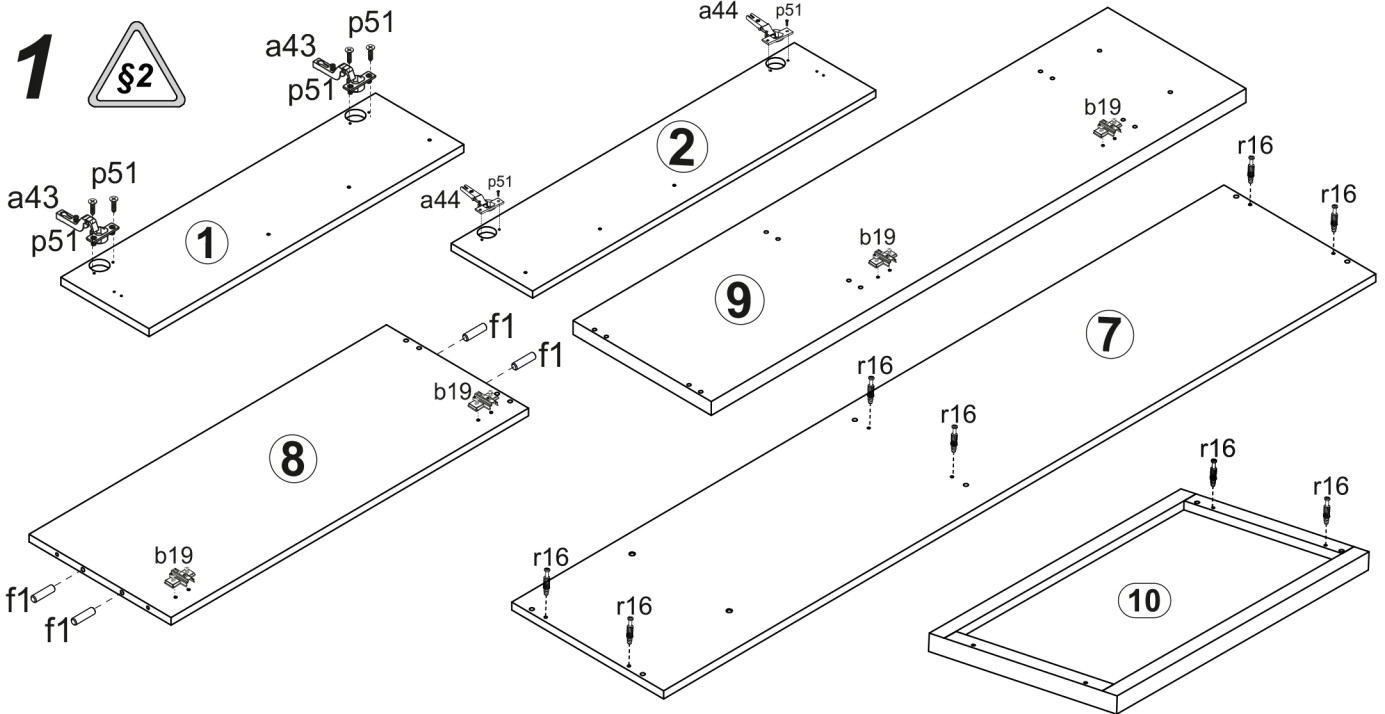
# TV stand



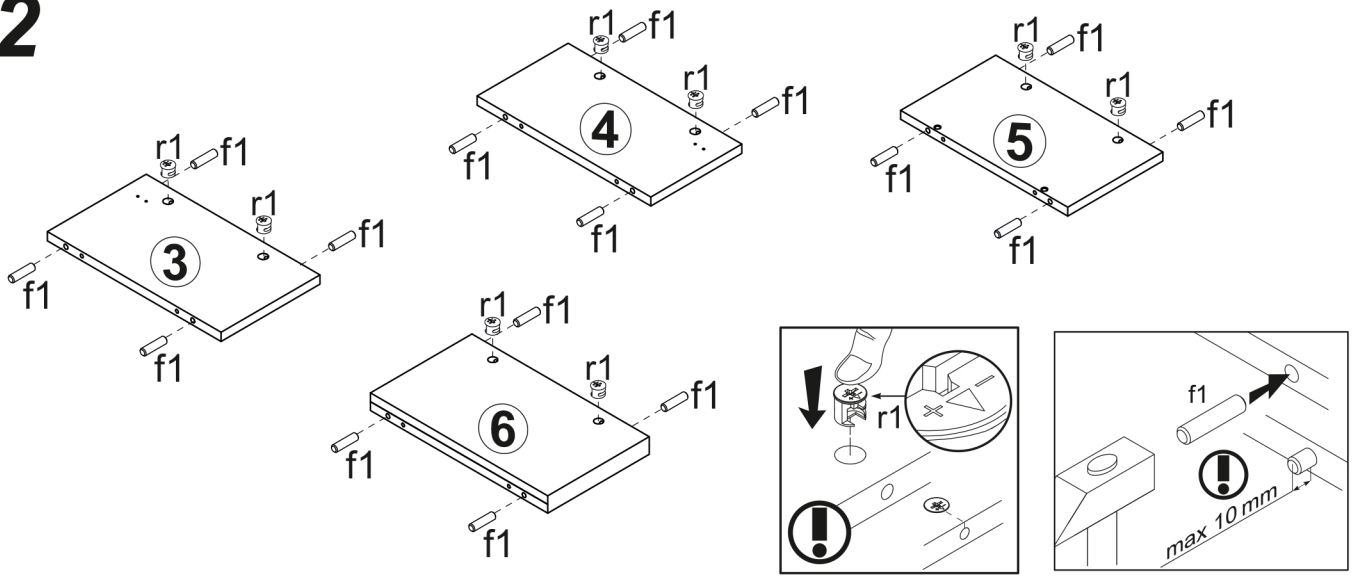
A	B	C	D	
1	KD1-001	750	210	2/2
2	KD1-002	885	210	2/2
3	KD1-101	199	350	2/2
4	KD1-102	183	350	2/2
5	KD1-103	199	350	2/2
6	KD1-104	215	375	2/2
7	KD1-201	1642	350	2/2
8	KD1-202	880	350	2/2
9	KD1-203	1450	375	2/2
10	KD1-204	700	375	2/2
11	KD1-705	100	100	1/2
12	KD1-901	887	210	2/2
13	KD1-905	747	226	2/2



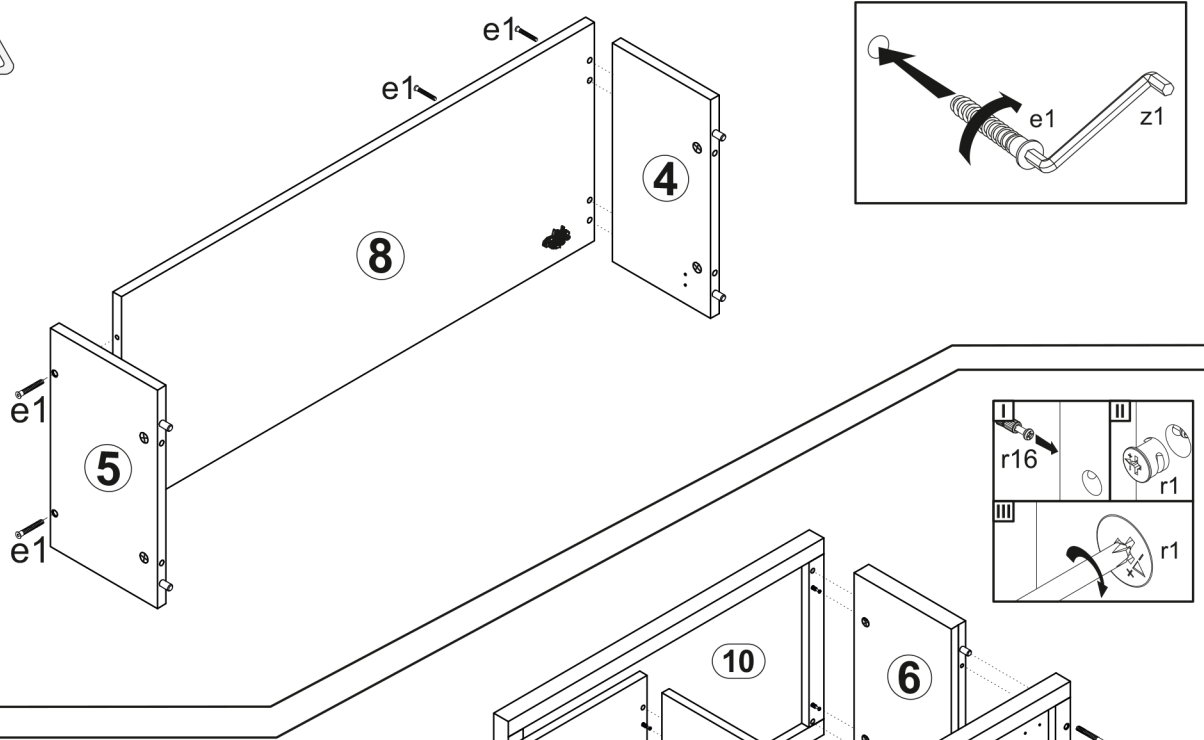
# 1



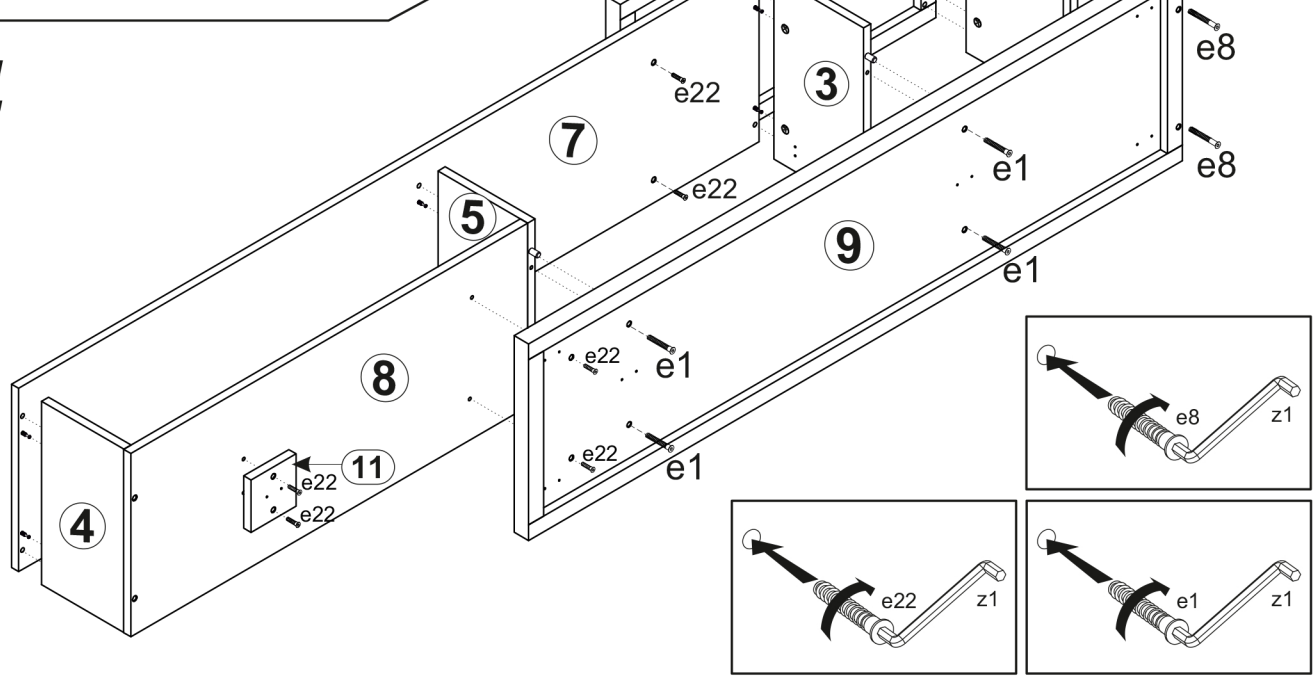
# 2



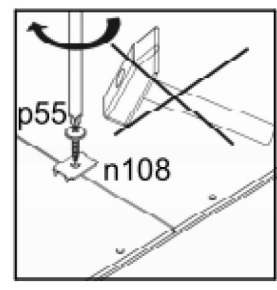
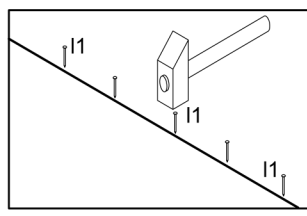
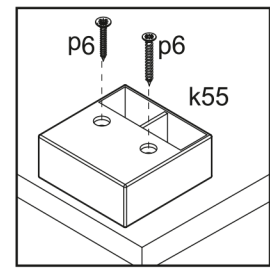
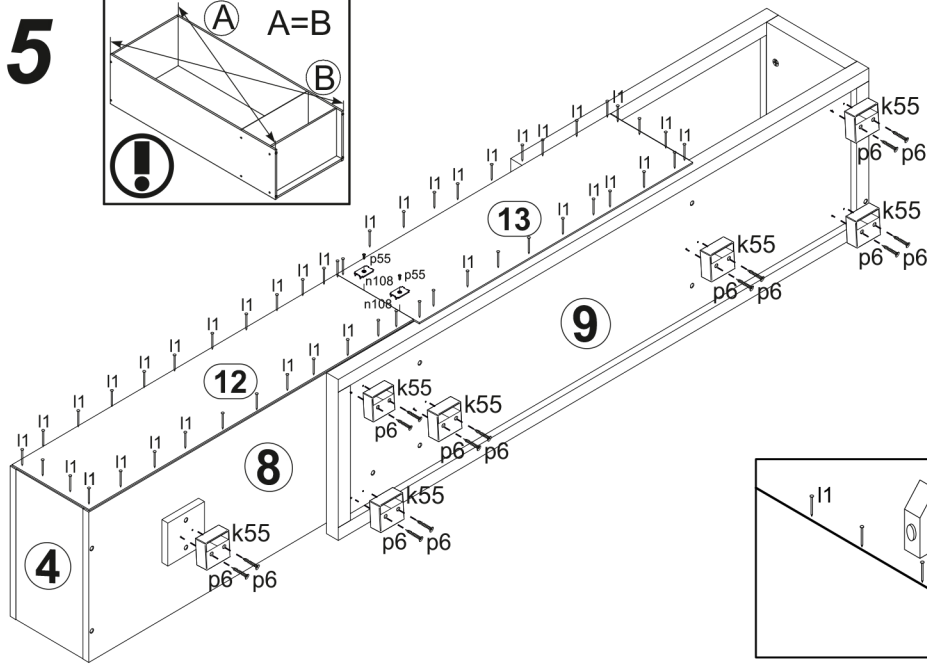
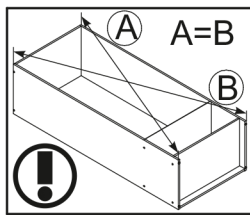
# 3



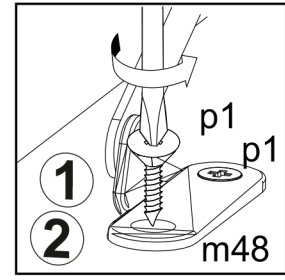
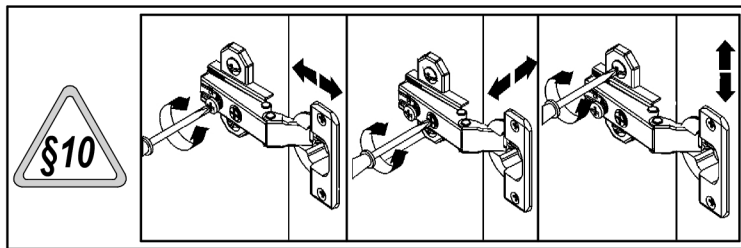
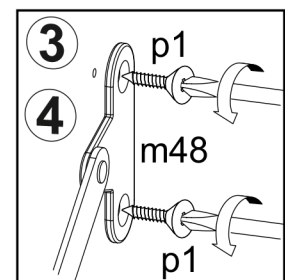
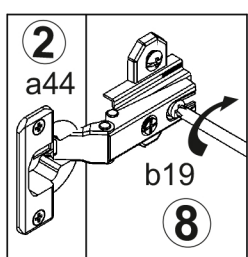
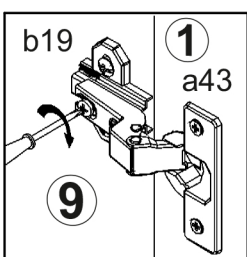
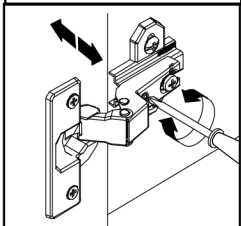
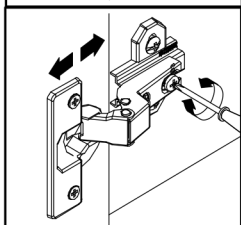
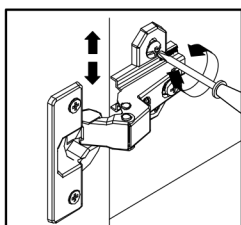
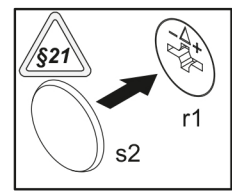
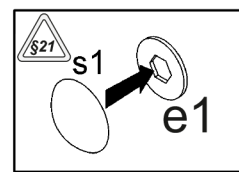
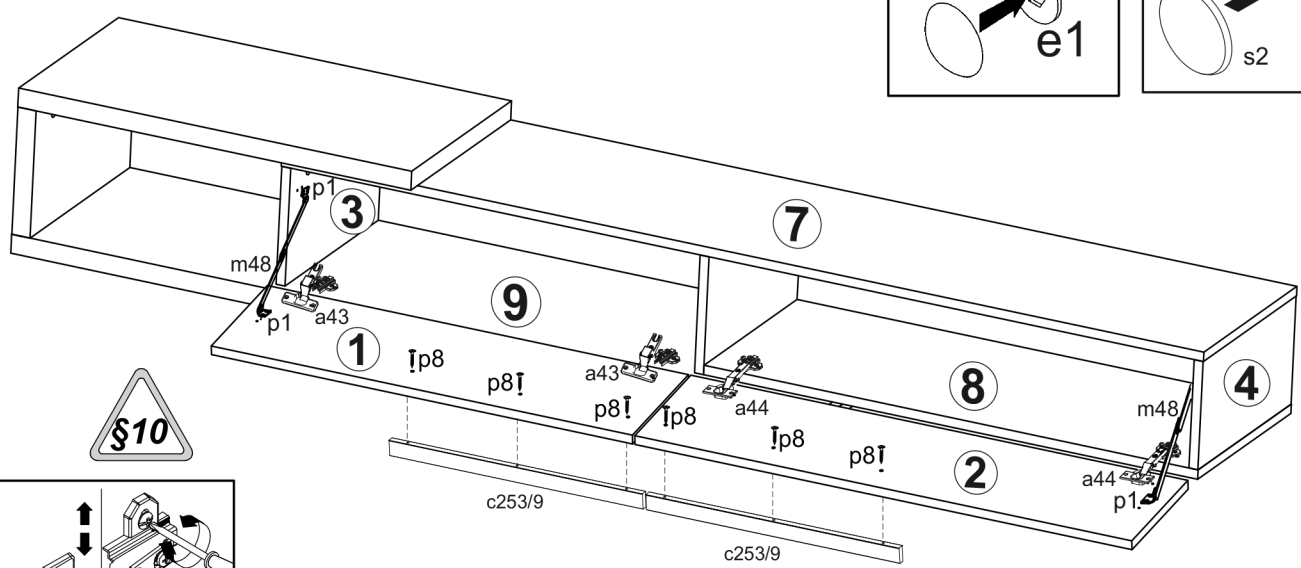
# 4

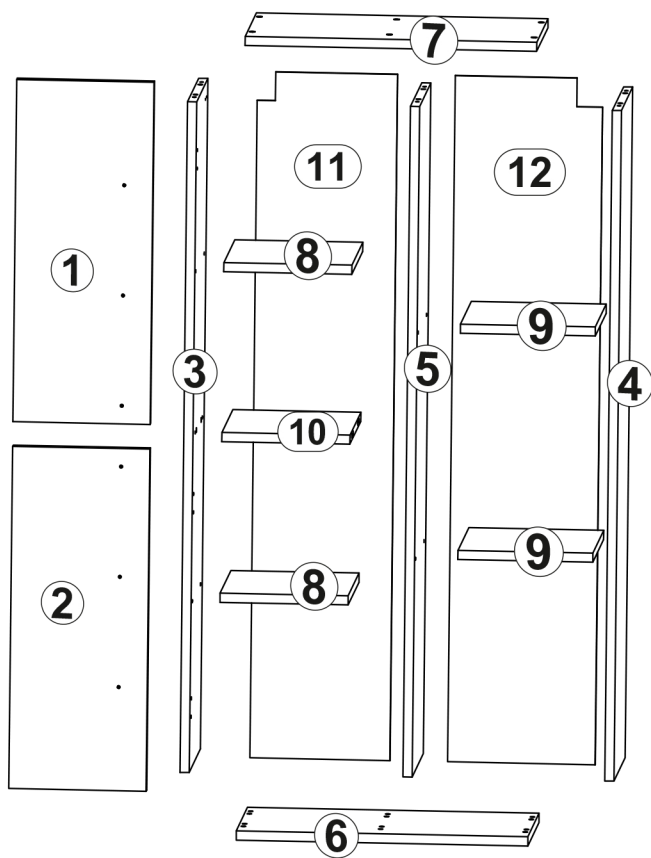


# 5

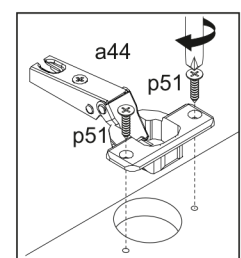
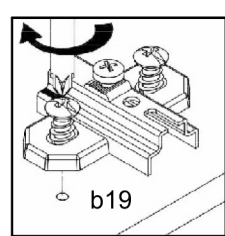
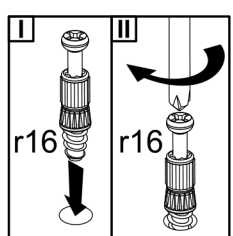
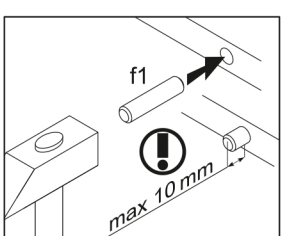
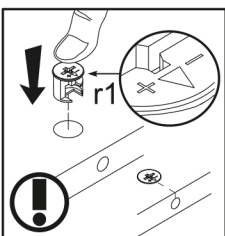
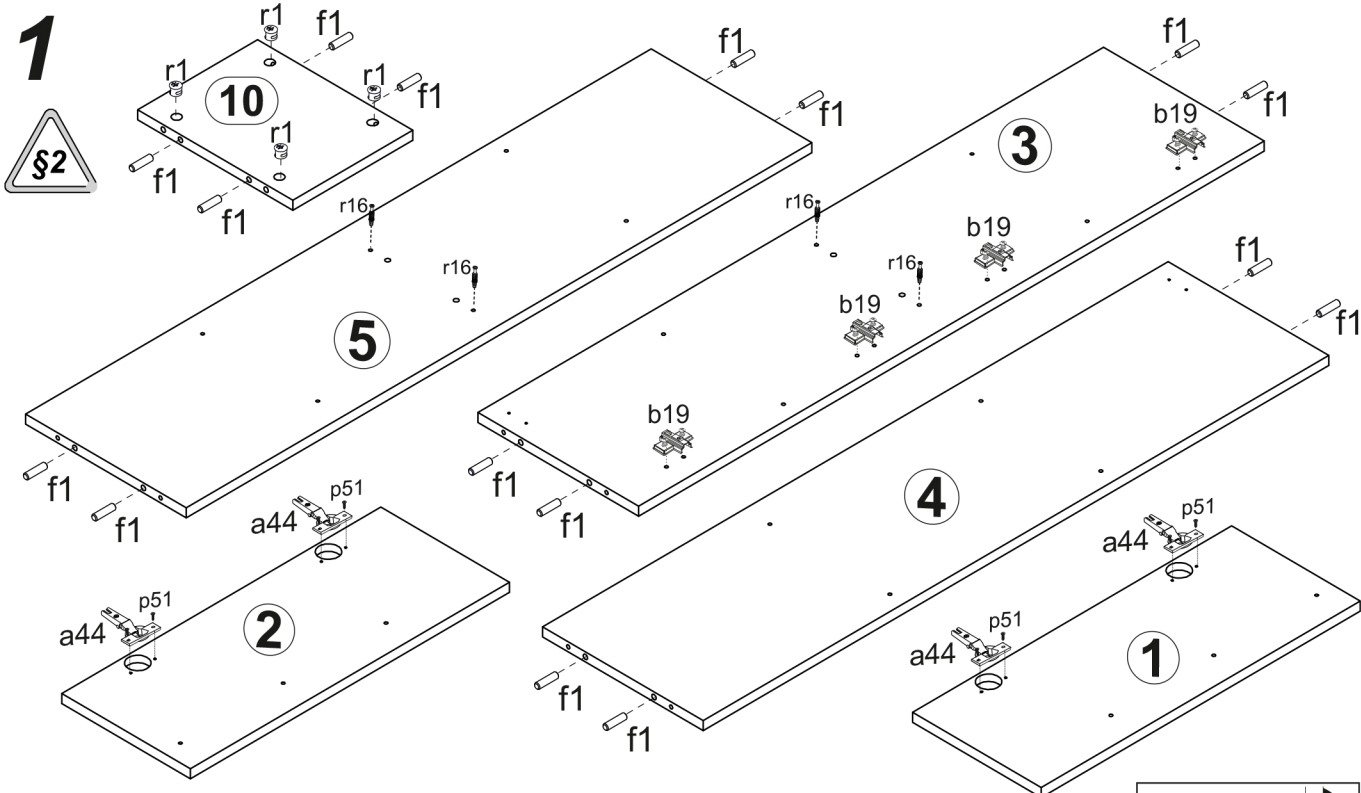


# 6

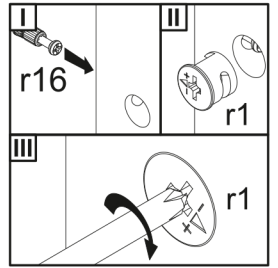
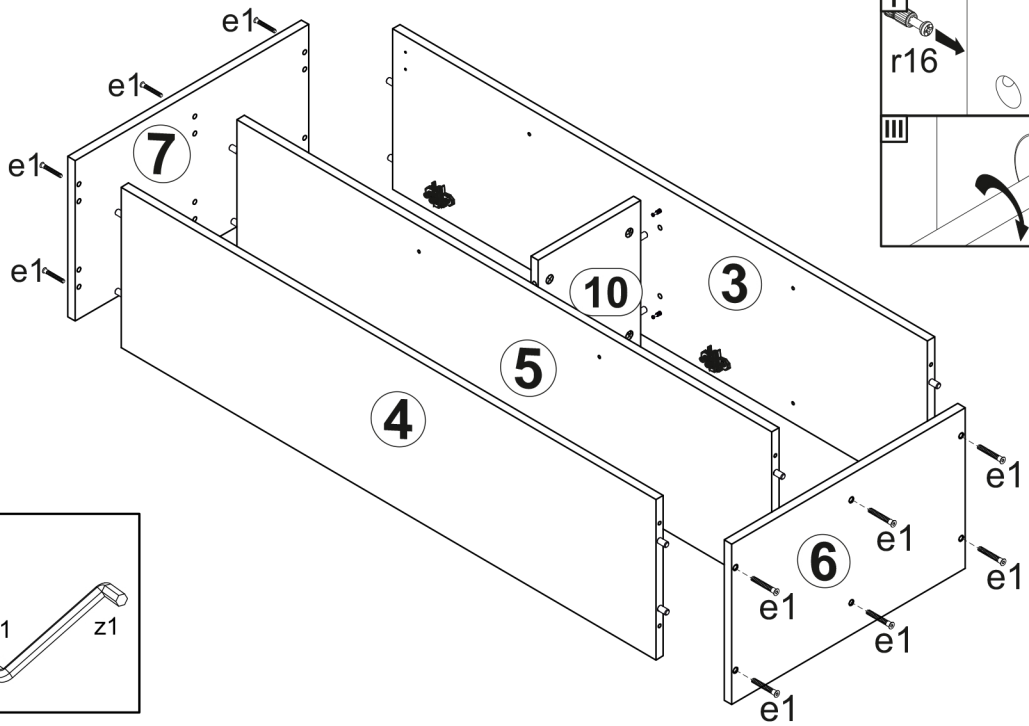




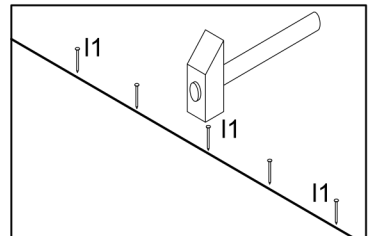
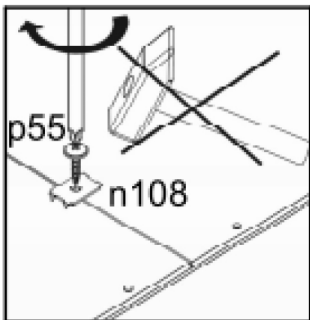
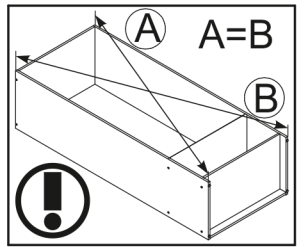
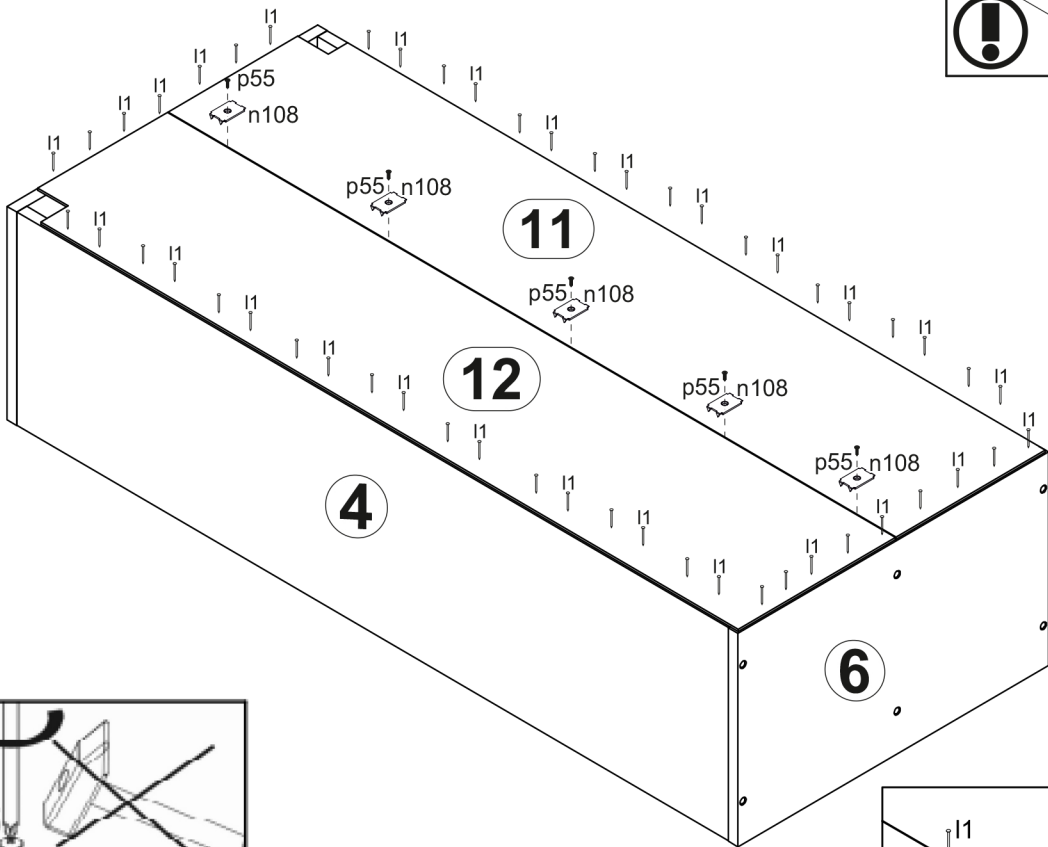
A	B	C	D	
1	KD1-003	596	240	1/2
2	KD1-004	596	240	1/2
3	KD1-105	1168	300	1/2
4	KD1-106	1168	300	1/2
5	KD1-107	1168	300	1/2
6	KD1-205	510	300	1/2
7	KD1-208	510	300	1/2
8	KD1-301	224	290	1/2
9	KD1-302	236	290	1/2
10	KD1-305	224	290	1/2
11	KD1-903	1195	245	1/2
12	KD1-904	1195	258	1/2



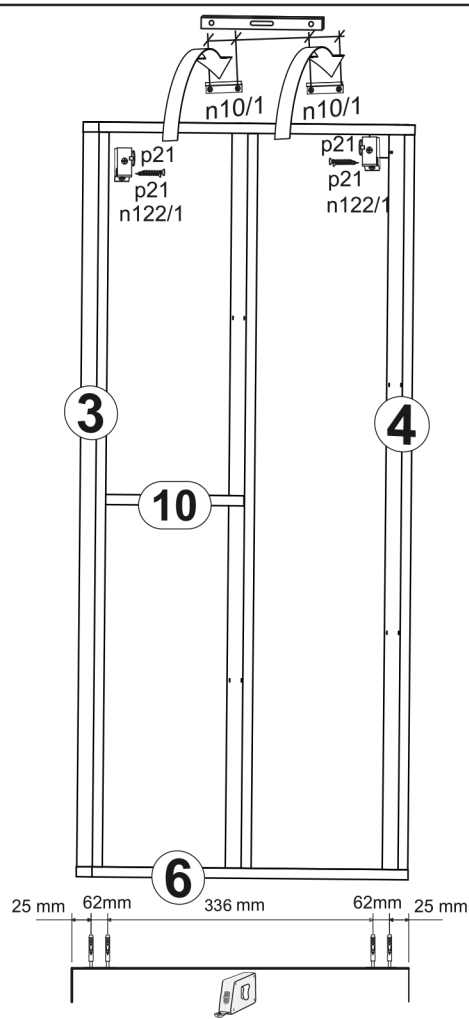
# 2



# 3



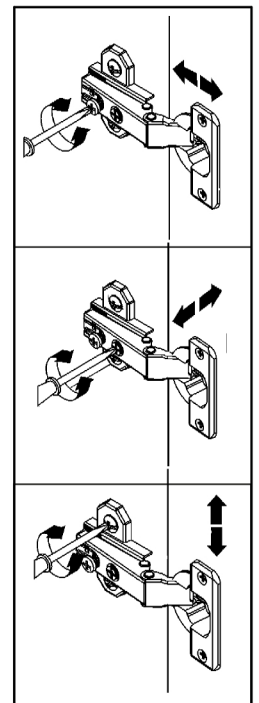
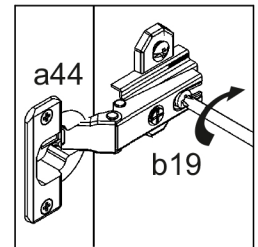
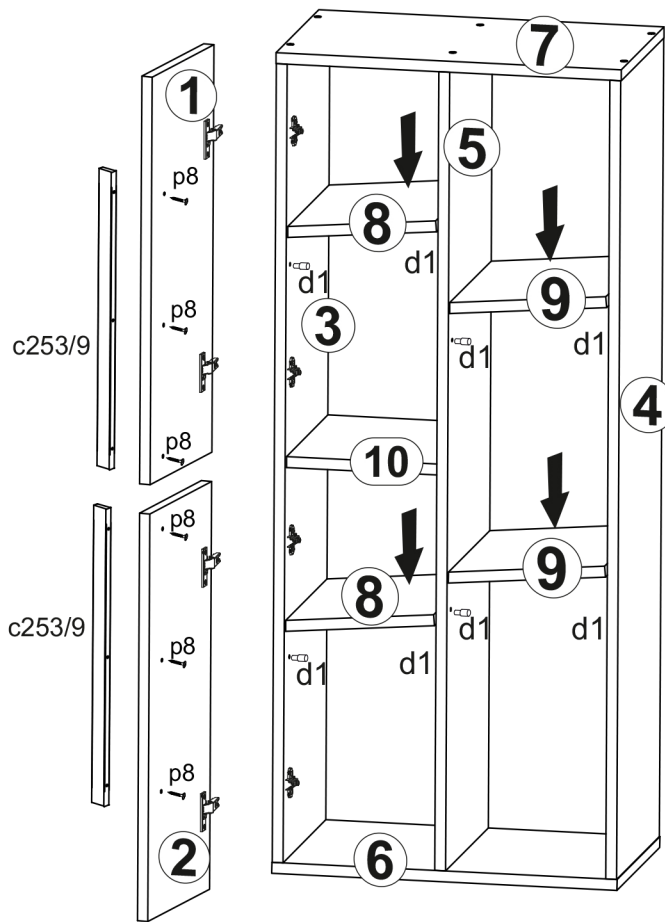
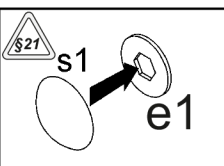
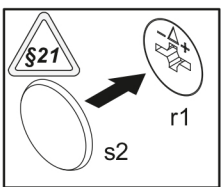
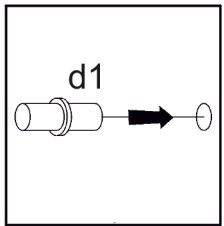
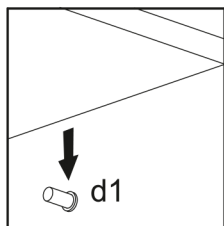
# 4



Detailed sub-diagrams for step 4:

- Top left: Shows a power drill being used to install a screw into a bracket.
- Top right: Shows a screw being inserted into a hole in a bracket.
- Middle left: Shows a bracket (n10/1) being attached to the side panel.
- Middle right: Shows a bracket (n122/1) being attached to the side panel, with screws (p21) and a warning symbol §10.
- Bottom right: Shows a circular warning symbol indicating a maximum load of 20kg max.

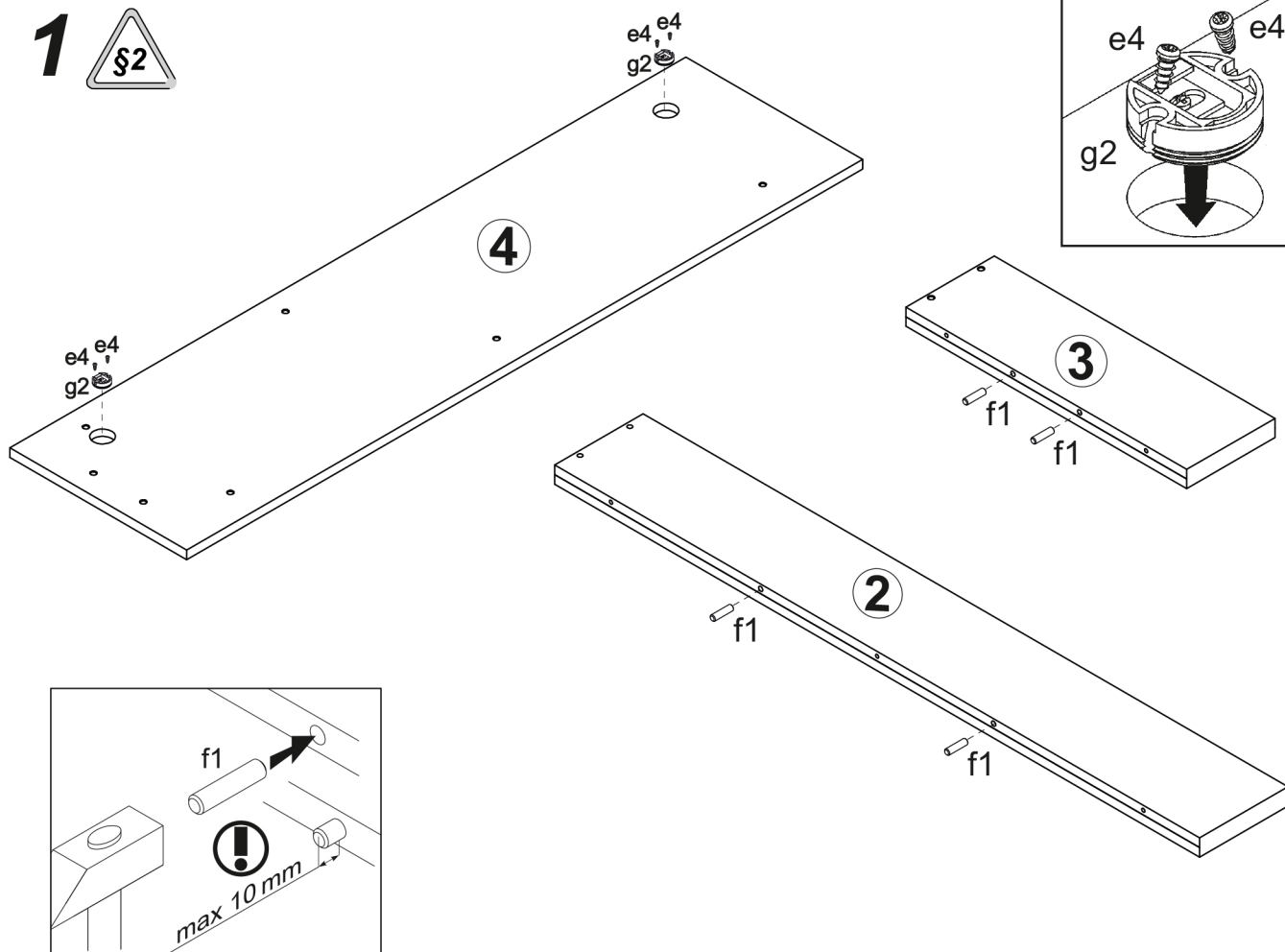
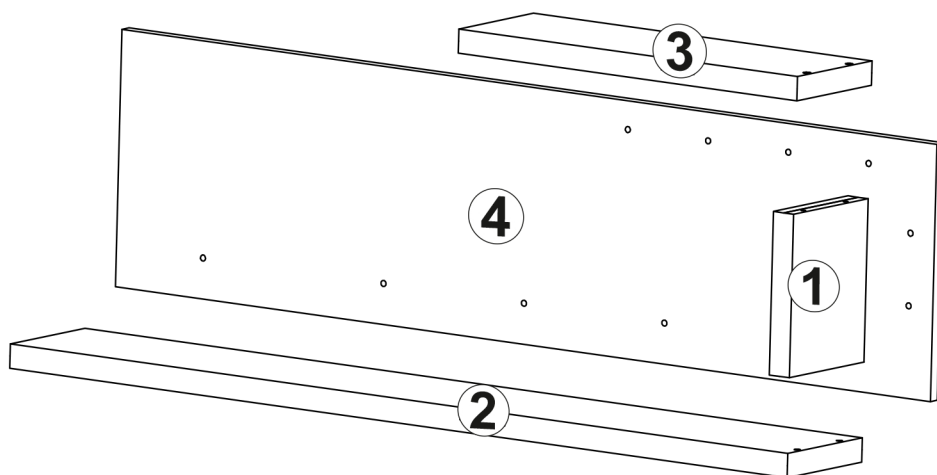
# 5





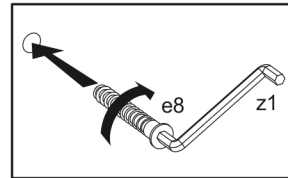
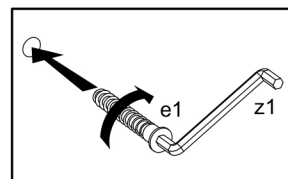
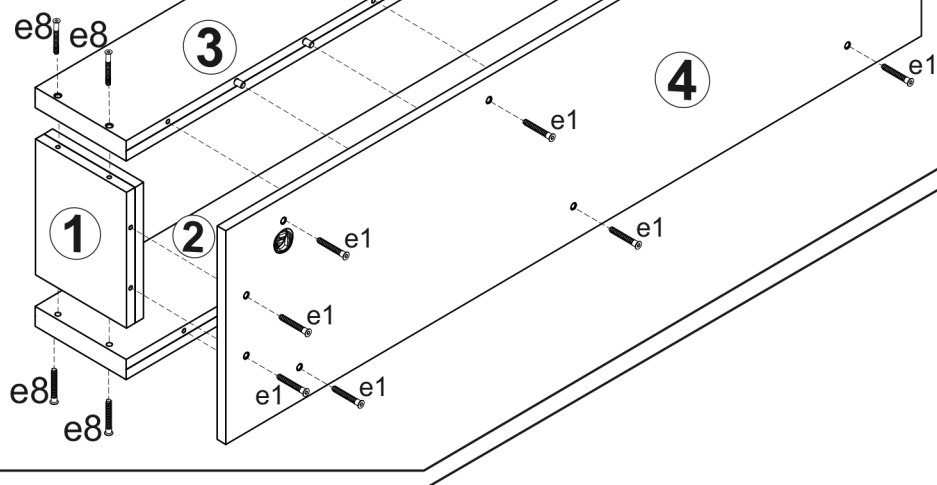
# Shelf

A	B	C		D
1	KD1-111	216	170	1/2
2	KD1-303	1240	170	1/2
3	KD1-304	540	170	1/2
4	KD1-405	1300	340	2/2

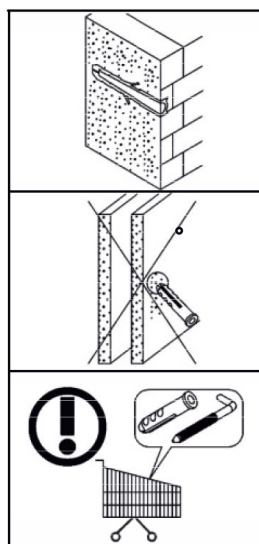
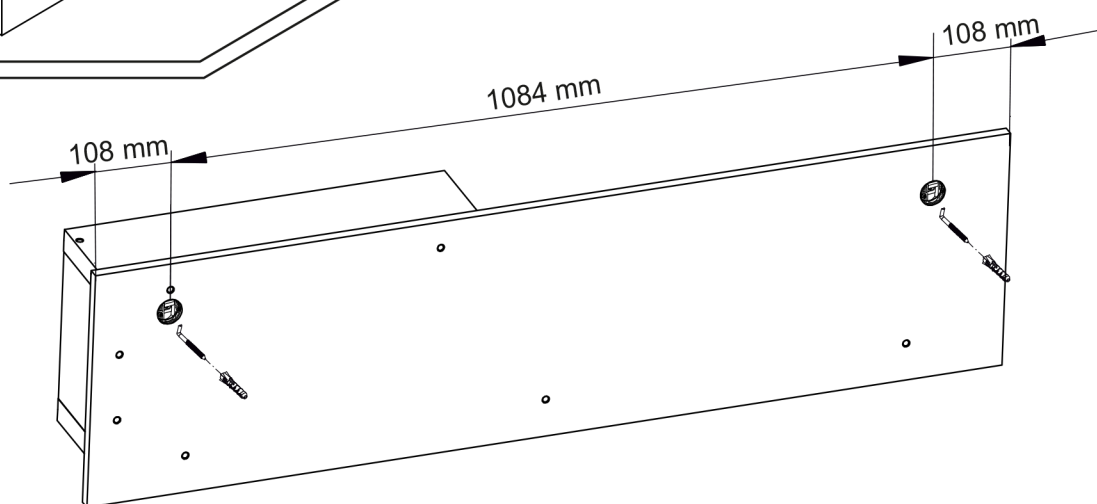




**2** §6



**3** §4



§10

