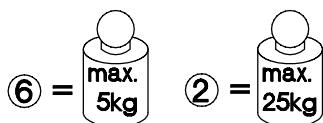
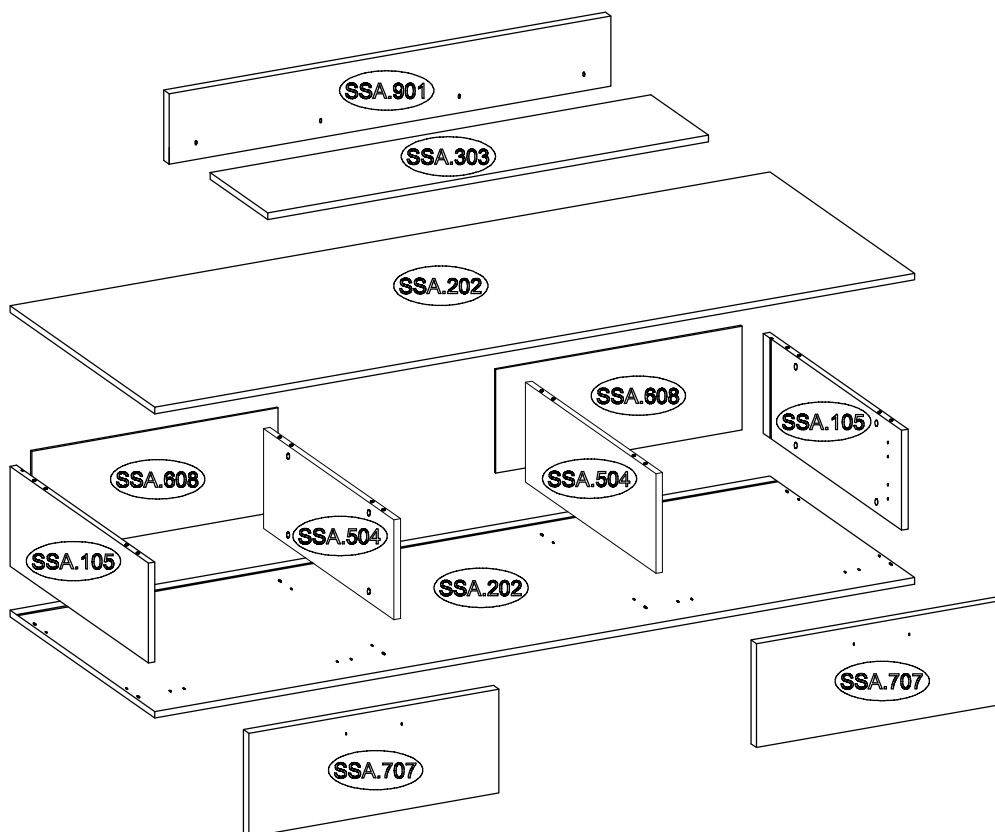
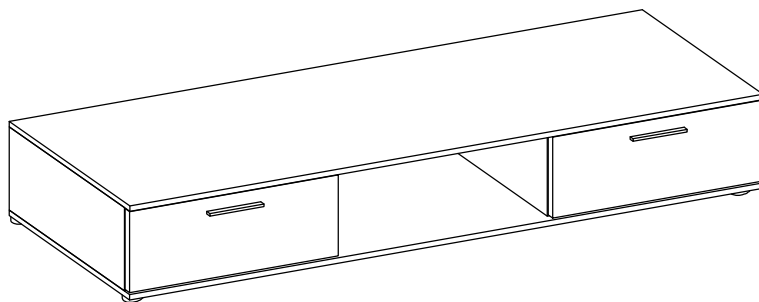
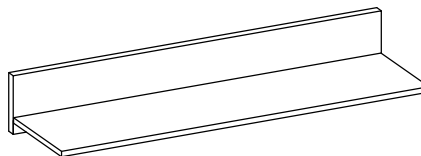


KAJA

Typ 318




1B	L=128mm	+4.0x30mm
	2	4

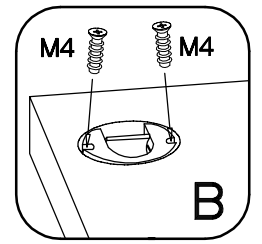
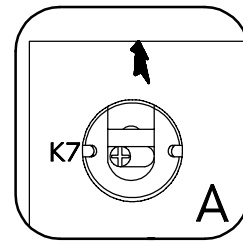
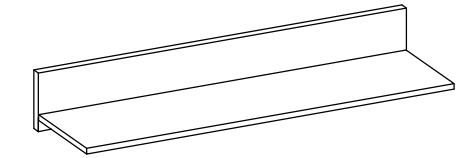
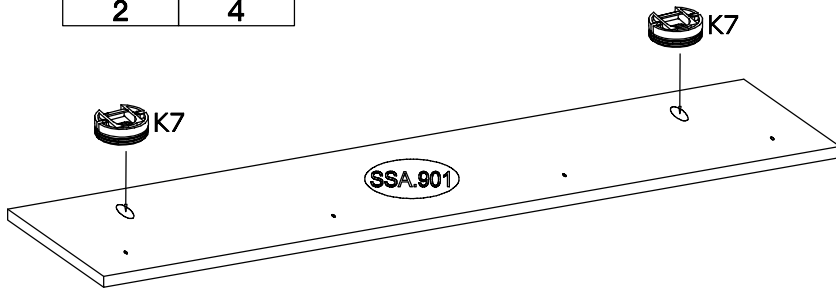
2B	H=0	+35/16mm	+3.5x13mm
	4	4	8

3B		+6.3x9mm		6,4 x 50mm	5/45mm	+10x50mm	+15/12mm	+8x30mm	L=20mm	+4.0x25mm
	2	4	1	4	2	2	16	16	16	6


	+3.5x13mm						
	6	6	2	4	16	10	4

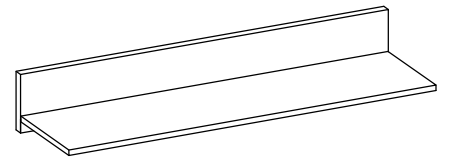
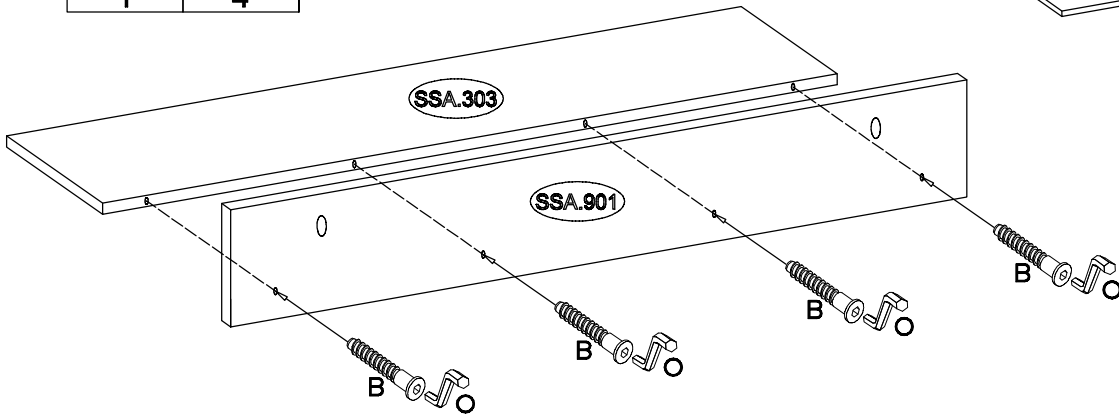
1

	$\pm 6,3 \times 9 \text{mm}$
K7	M4
2	4

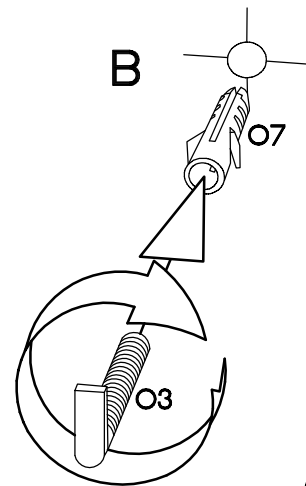
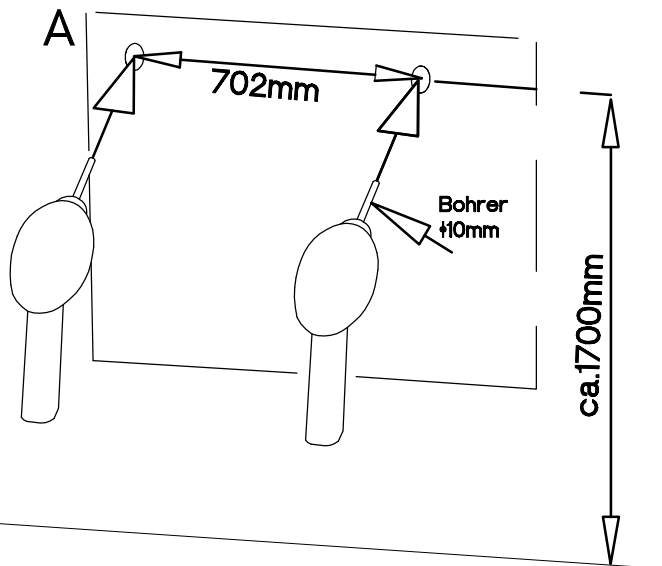


2

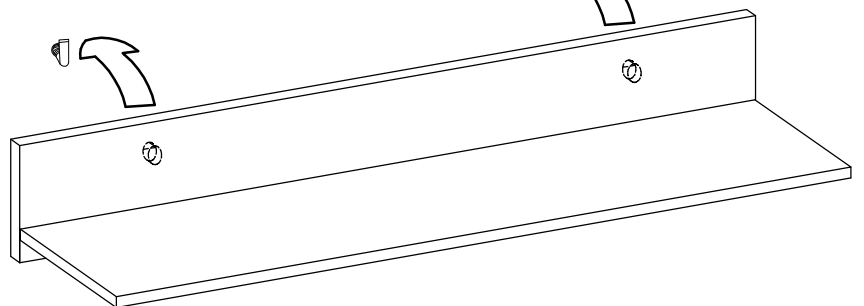
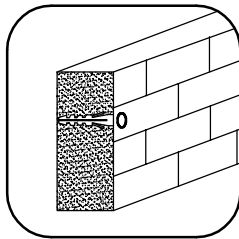
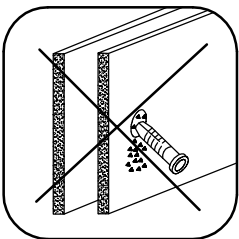
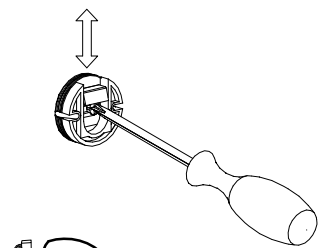
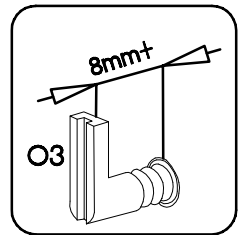
	$6,4 \times 50 \text{mm}$
O	B
1	4






3





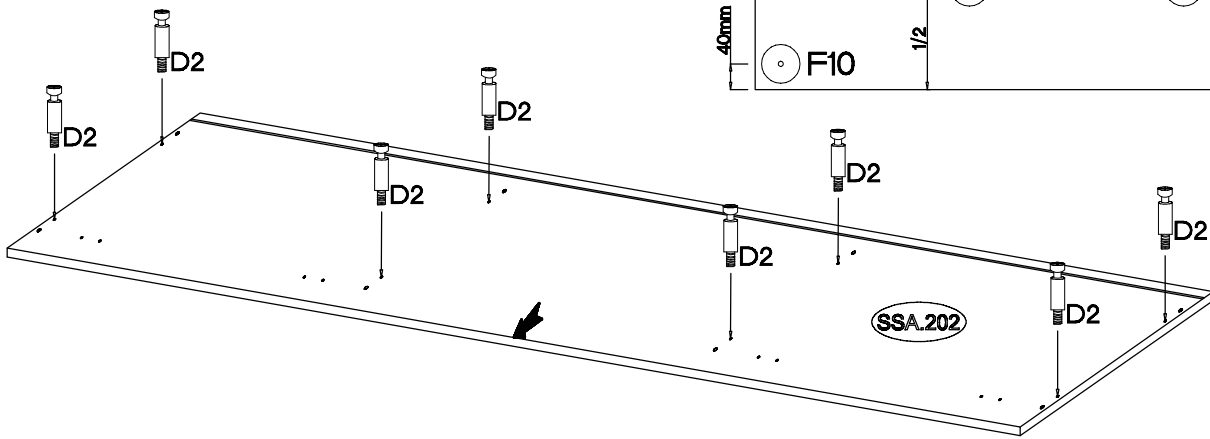
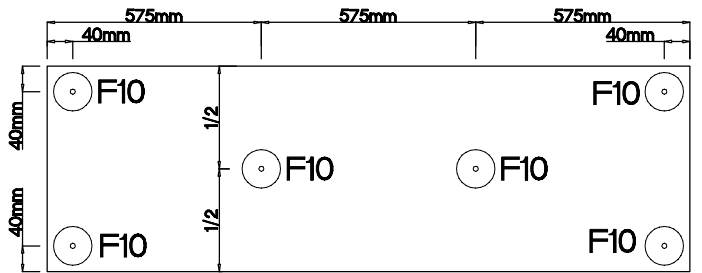
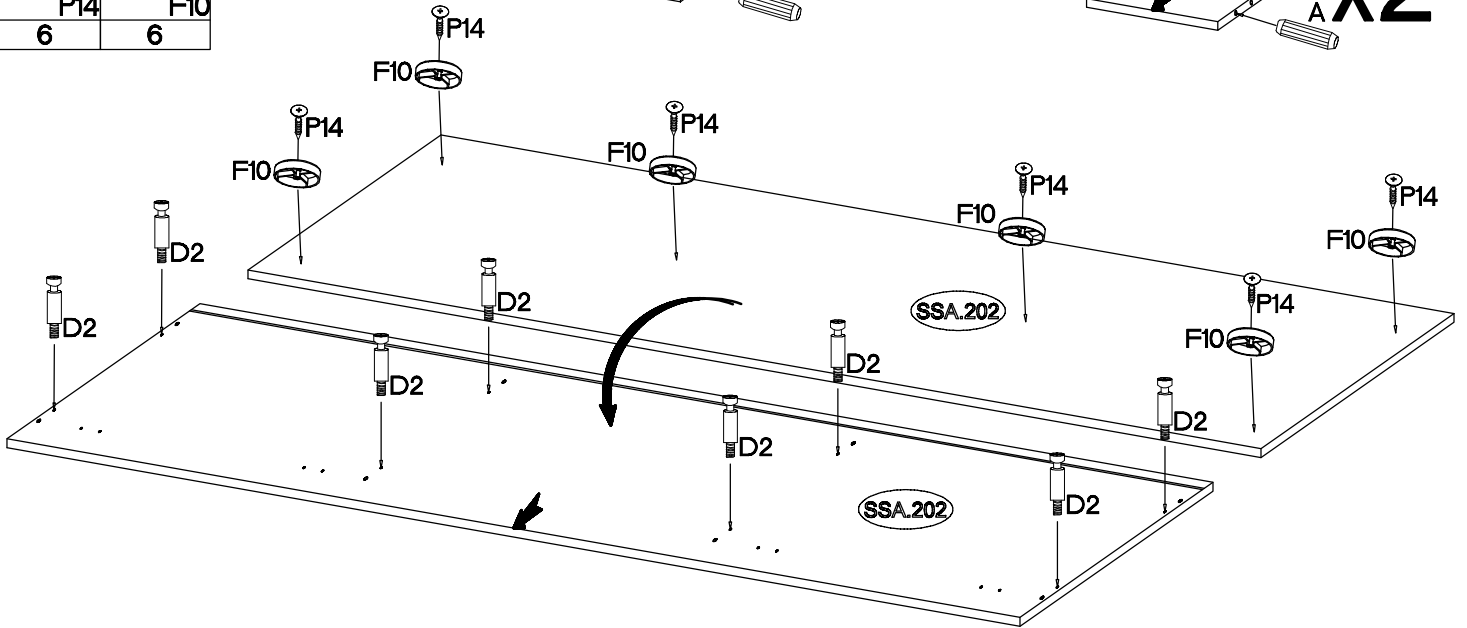
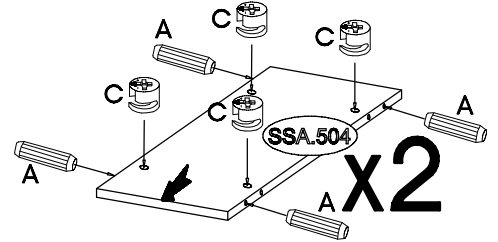
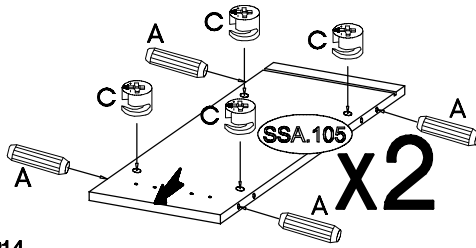
$5/45 \text{mm}$	$\pm 10 \times 50 \text{mm}$
O3	O7
2	2



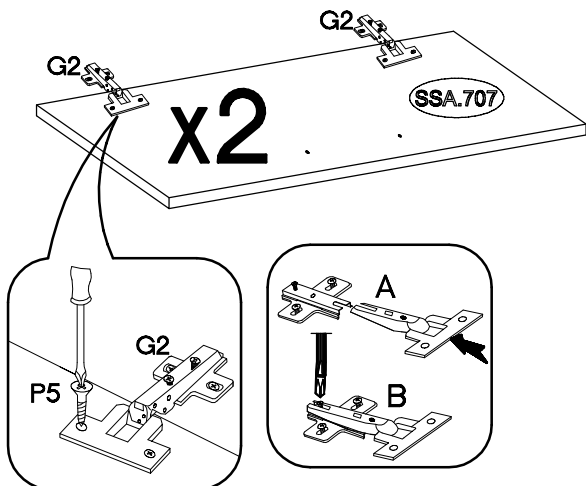
4





 16	 16	 16
--	--	--

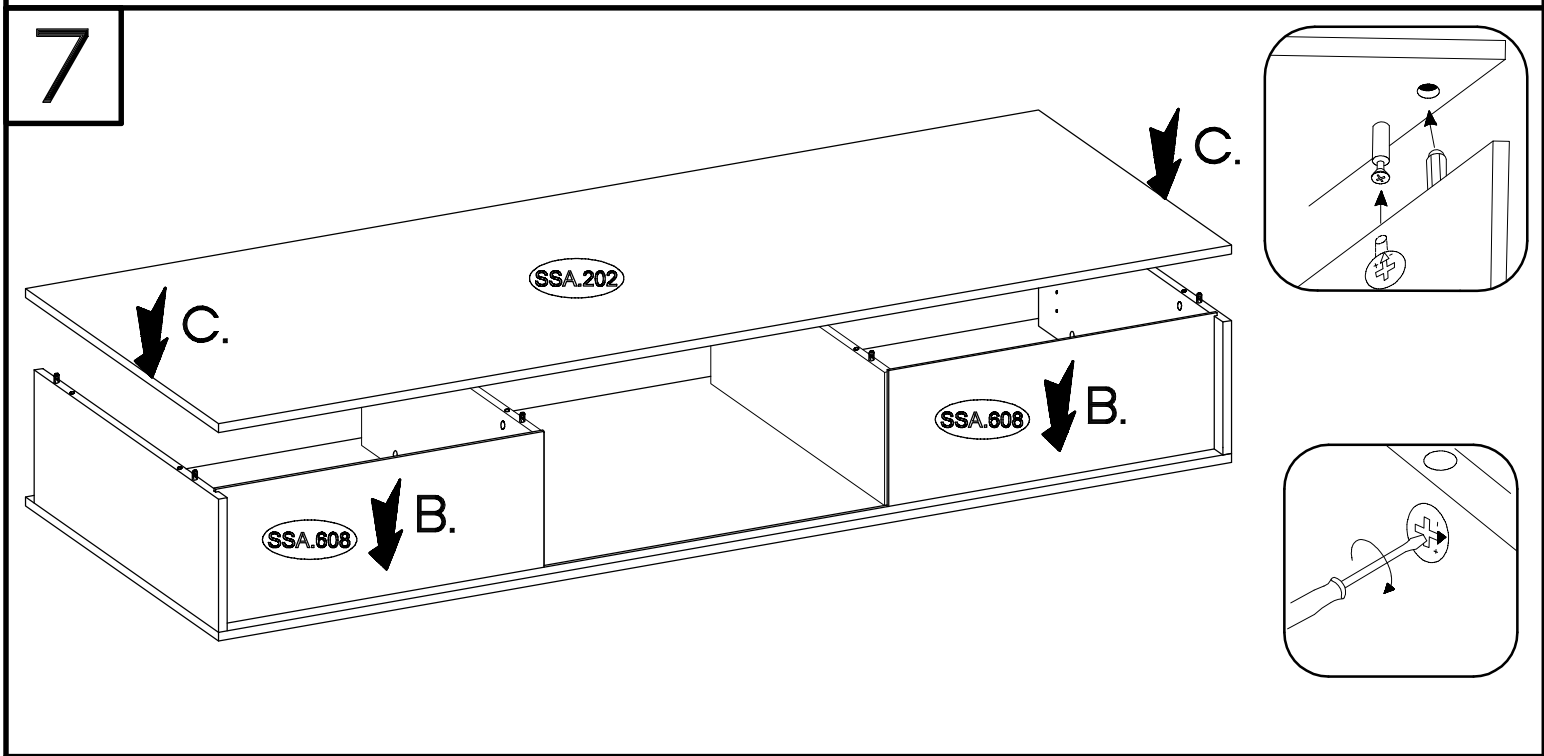
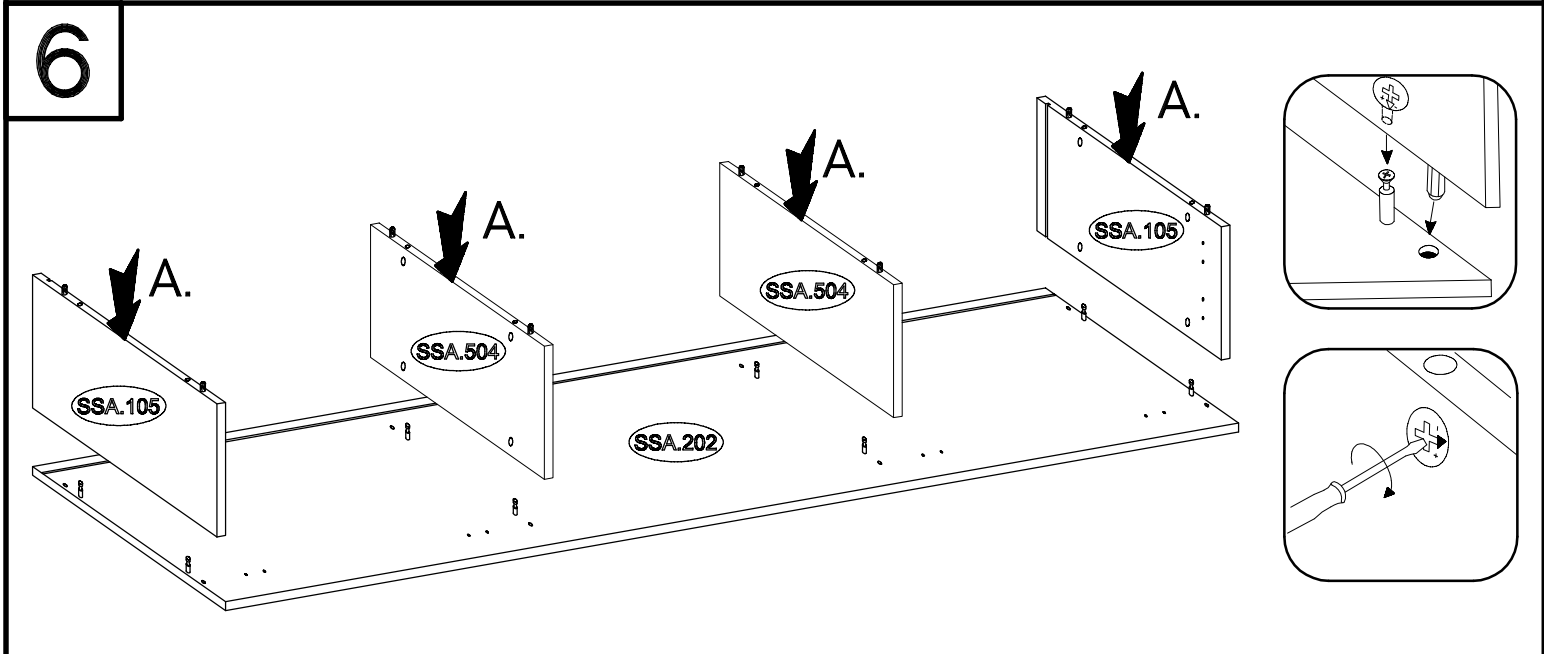
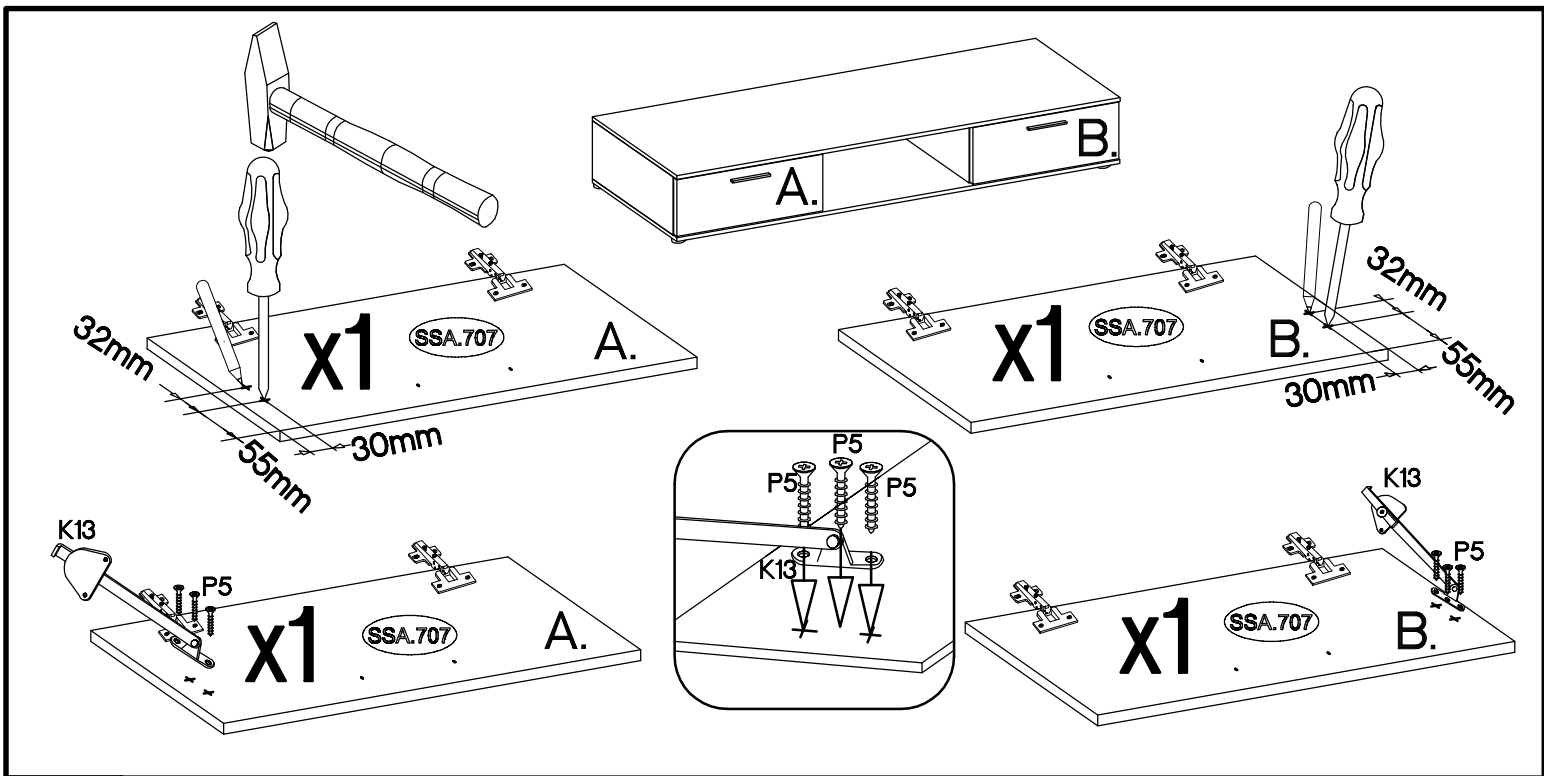
 6	 6
---	--



5



 4	 4	 14	 2
--	--	---	--



8

±3.0x16mm



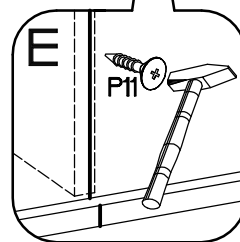
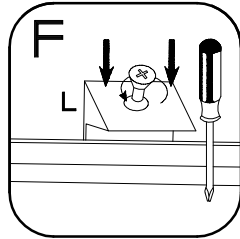
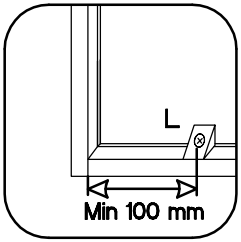
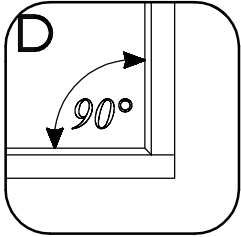
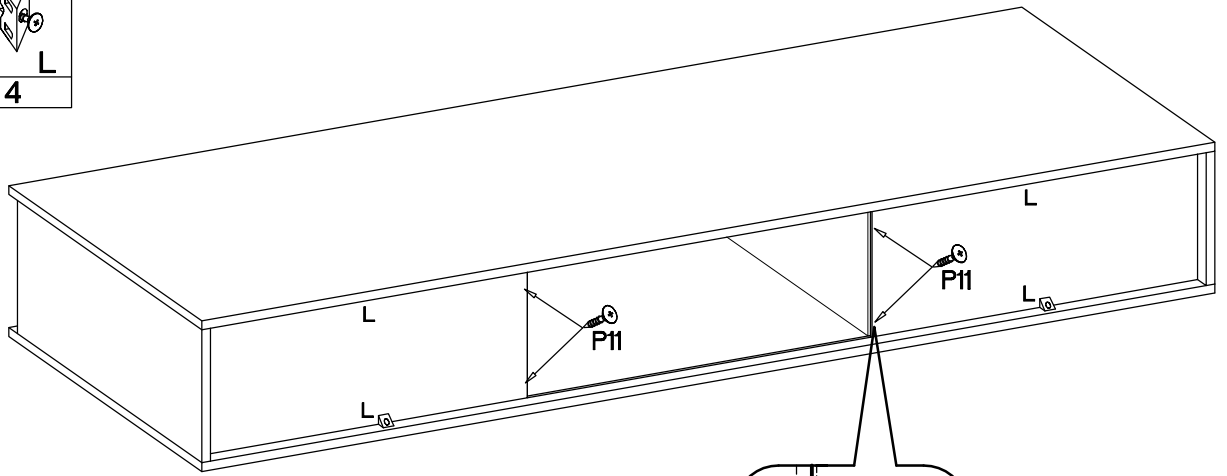
P11

4



L

4



9



E

16

±3.0x16mm



P11

6

±4.0x30mm



R2

4

L=128mm



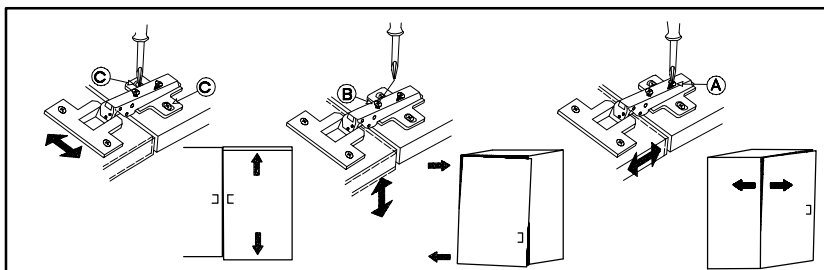
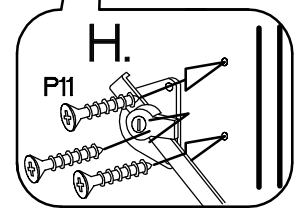
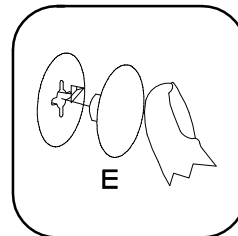
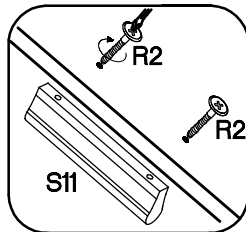
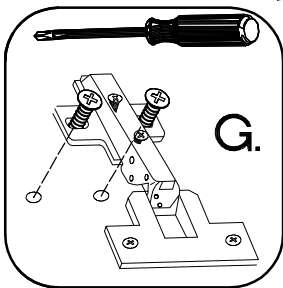
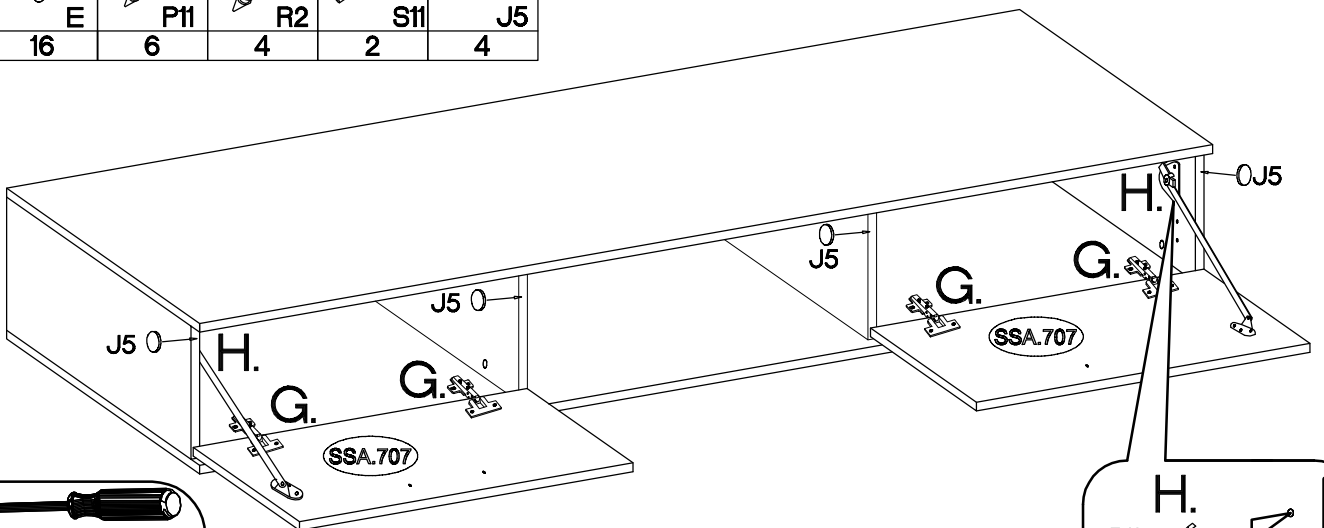
S11

2

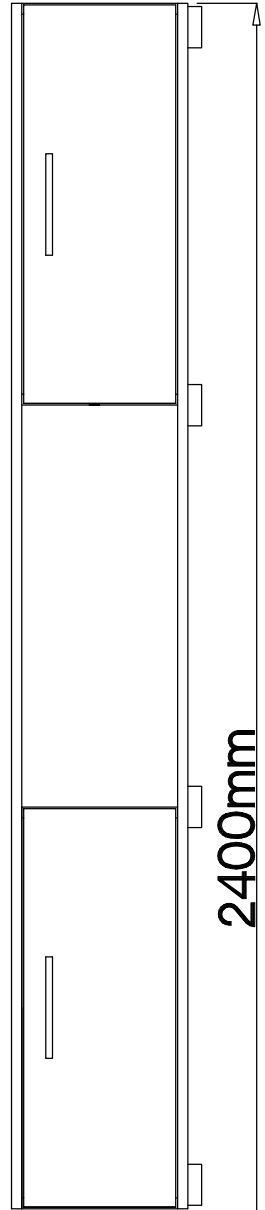
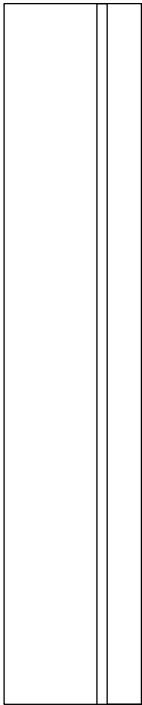
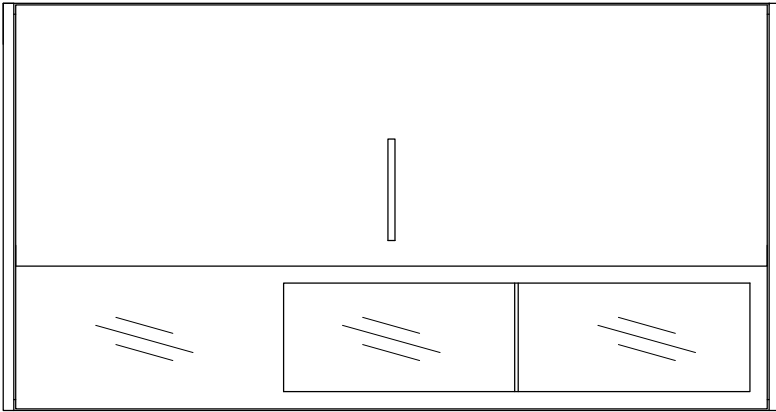


J5

4



1800mm



2400mm

