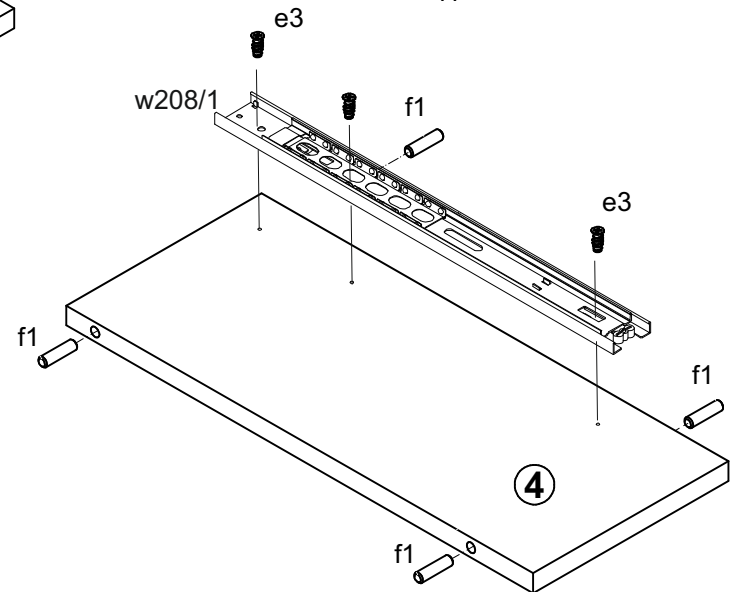
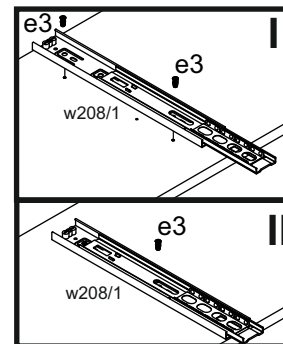
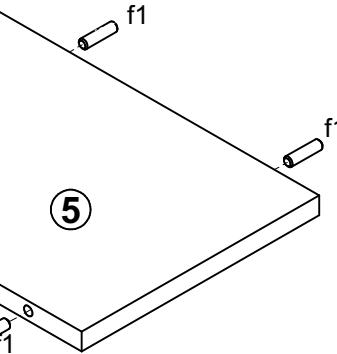
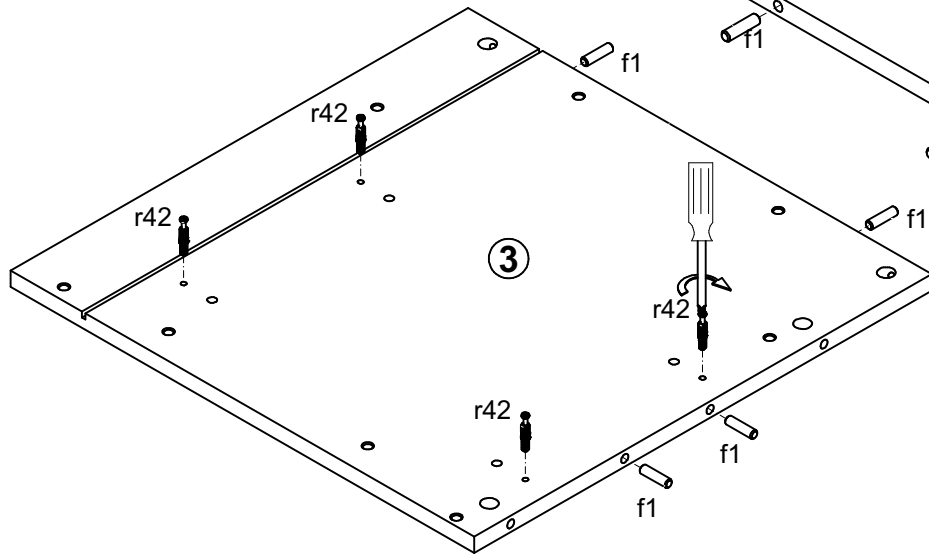
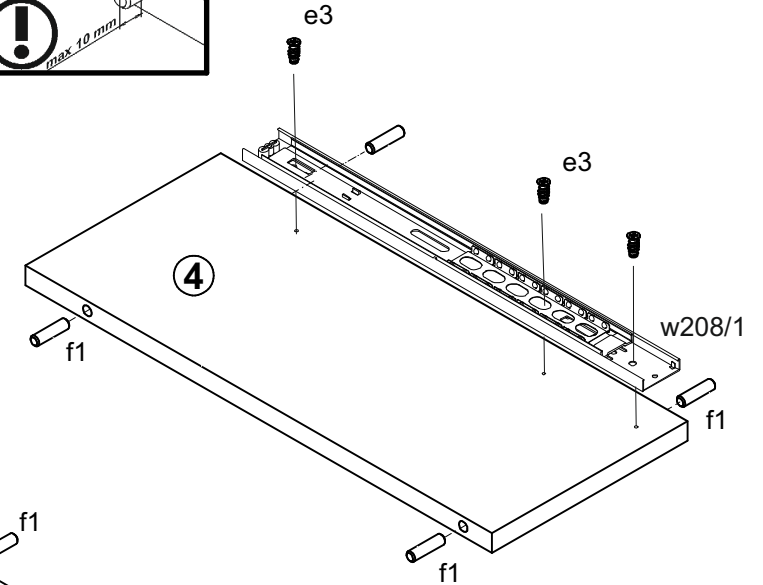
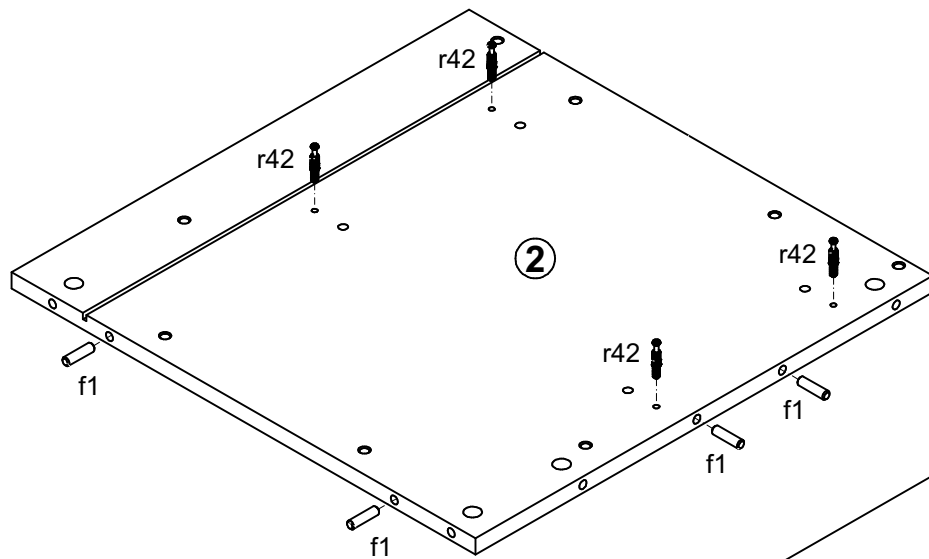
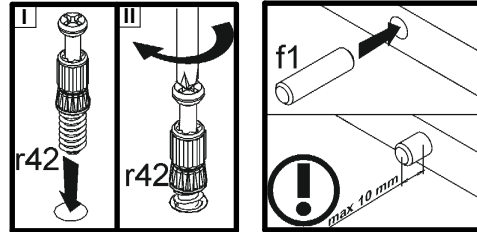


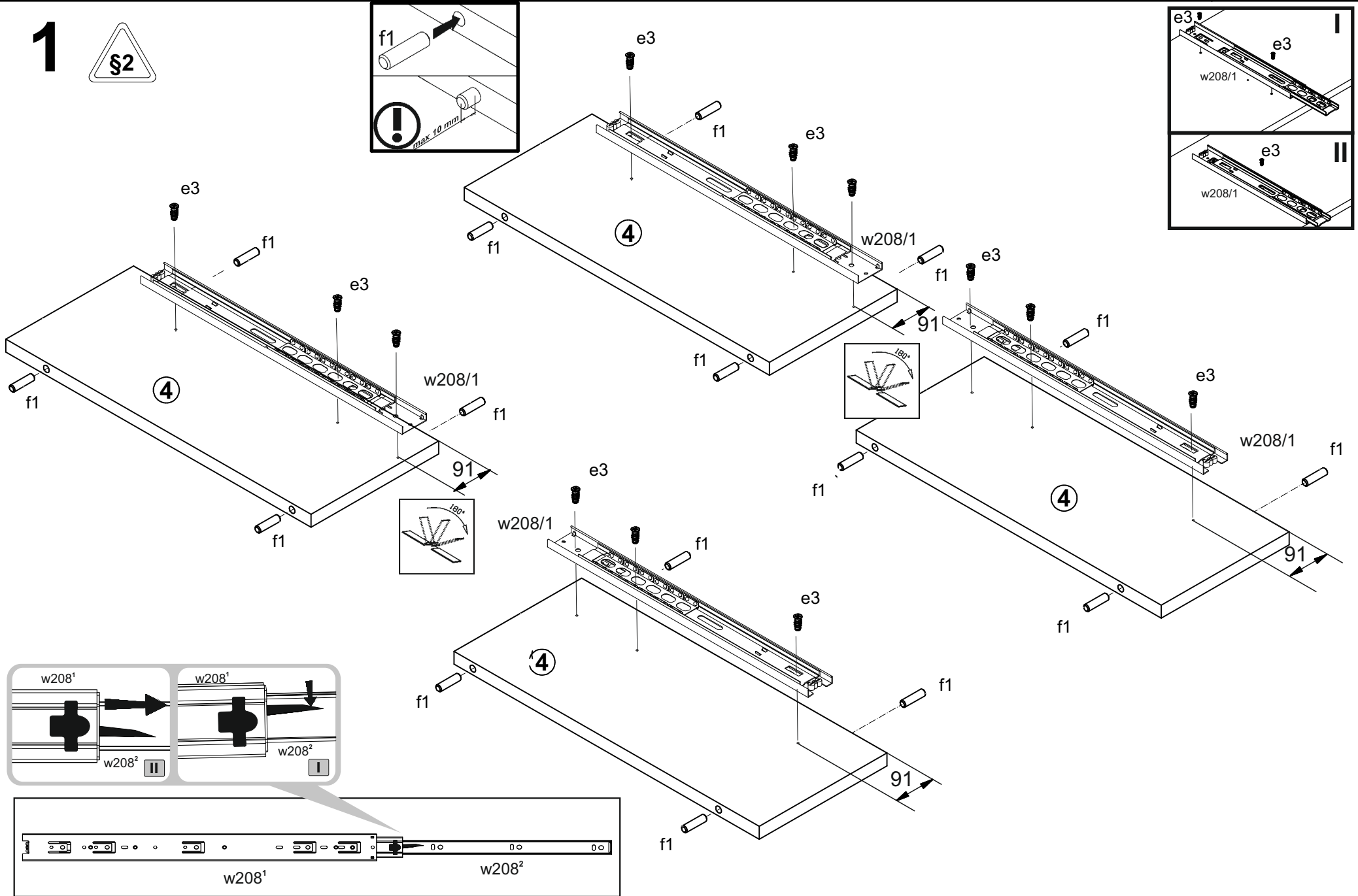
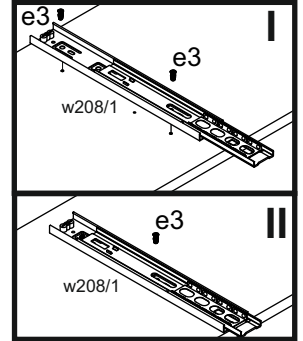
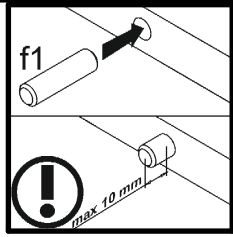
| A | B | C (mm) | D | |
|----|------------|--------|-----|-----|
| 1 | S228-0006A | 604 | 192 | 1/2 |
| 2 | S228-108 | 514 | 521 | 2/2 |
| 3 | S228-109 | 514 | 521 | 2/2 |
| 4 | S228-110A | 183 | 437 | 1/2 |
| 5 | S228-111 | 222,5 | 300 | 1/2 |
| 6 | S228-203 | 1955 | 521 | 2/2 |
| 7 | S228-309 | 1923 | 437 | 1/2 |
| 8 | S228-310 | 1923 | 437 | 1/2 |
| 9 | S228-531 | 147 | 100 | 2/2 |
| 10 | S228N-5518 | 2000 | 80 | 2/2 |
| 11 | S228N-5519 | 1840 | 80 | 2/2 |
| 12 | S228N-5520 | 1920 | 60 | 2/2 |
| 13 | S228N-5521 | 511 | 80 | 2/2 |
| 14 | S228N-5522 | 511 | 80 | 2/2 |
| 15 | S228N-5523 | 521 | 80 | 2/2 |
| 16 | S228N-5524 | 521 | 58 | 2/2 |
| 17 | S228N-5525 | 405 | 80 | 2/2 |
| 18 | S228N-5526 | 511 | 58 | 2/2 |
| 19 | S228-904 | 1933 | 440 | 2/2 |
| 20 | S228-9957A | 550 | 400 | 1/2 |
| 21 | S228-515N | 400 | 140 | 1/2 |
| 22 | S228-516N | 400 | 140 | 1/2 |
| 23 | S228-517N | 540 | 140 | 2/2 |

| | | | | | | | | | | | | |
|-----------------------|-----------|-----------------------|------------------------|--------------------------|------------------------|---------------------------|---------------------------|-----------------------|------------------------------|------------------------|---------------------|--------------------------|
| 3x 192mm c280\1 | 4x d36 | 2x 117x50 mm e1 | 18x 116x13 mm e3 | 12x 117x28 mm e22 | 44x 118x30 mm f1 | 8x 118x20 mm f13 | 12x 118,5x40 mm f25 | 6x M4x22 mm j30 | 8x k1 | 2x 83x83x11 k101 | 40x l1 | 11x l2 |
| 6x 400mm w208/2 | 1x z1 | 2x s1 | 2x 116 s2 | 6x 118,5x16 mm p25 | 18x x12 mm p140 | 18x 118,5x16 mm p38 | 8x 118,5x15 mm p51 | 5x 114x25 mm p8 | 33x 111,5x12 mm #16 r1 | 33x r42 | 3x 383 mm t14 | 4x 118,5x20 mm p79 |
| 6x 400mm w208/1 | | | | | | | | | | | | |

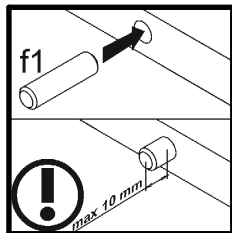
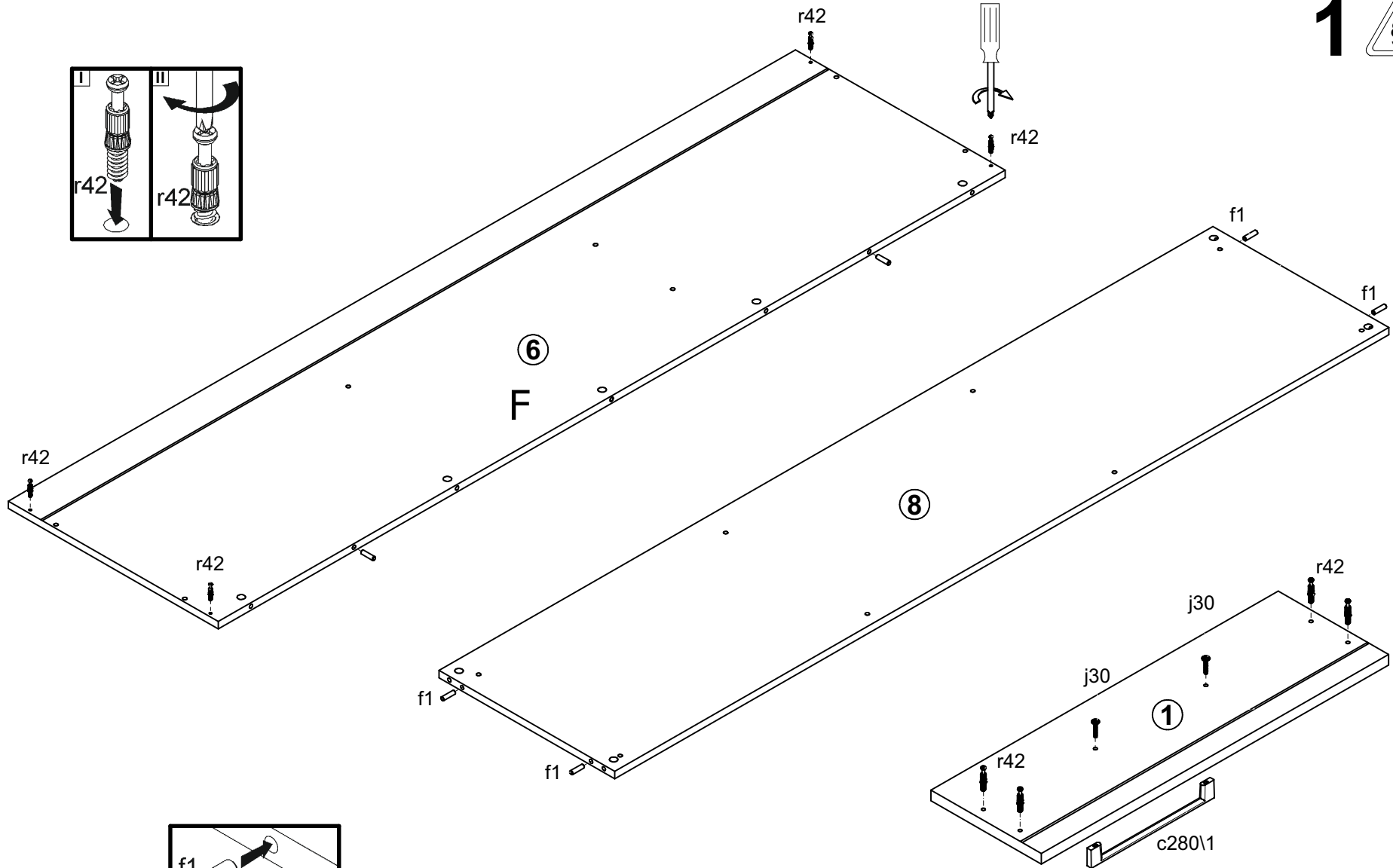
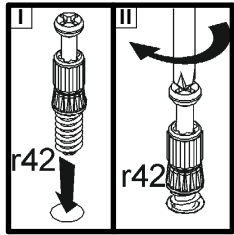
1 



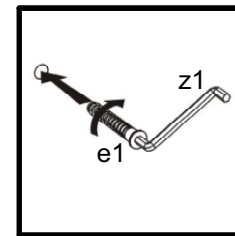
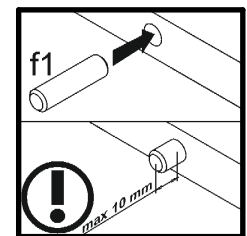
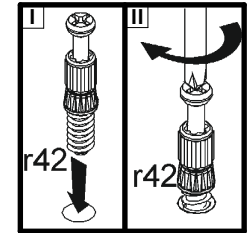
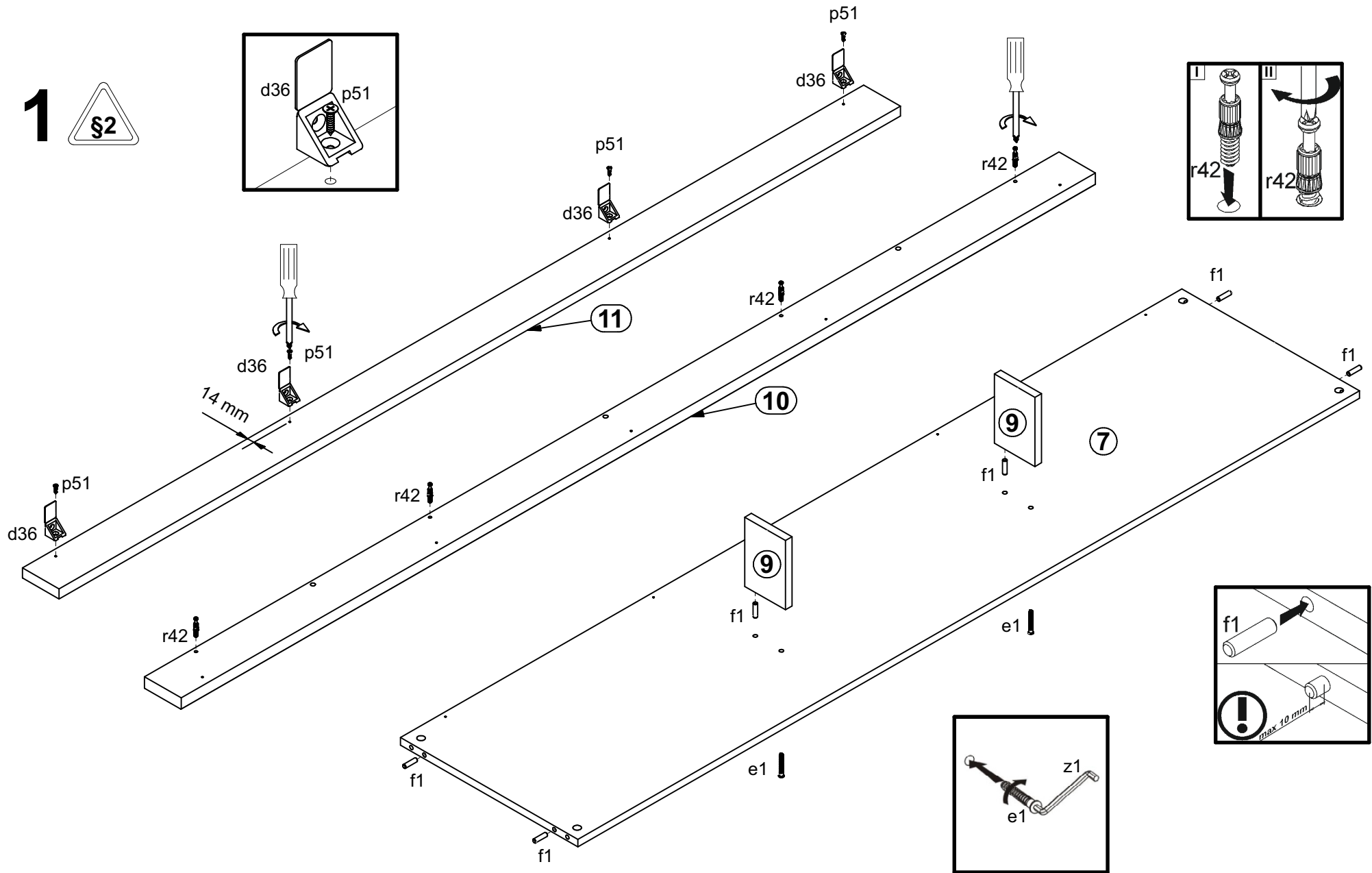
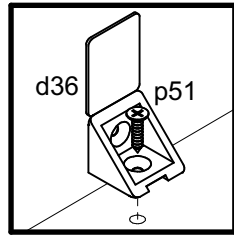
1

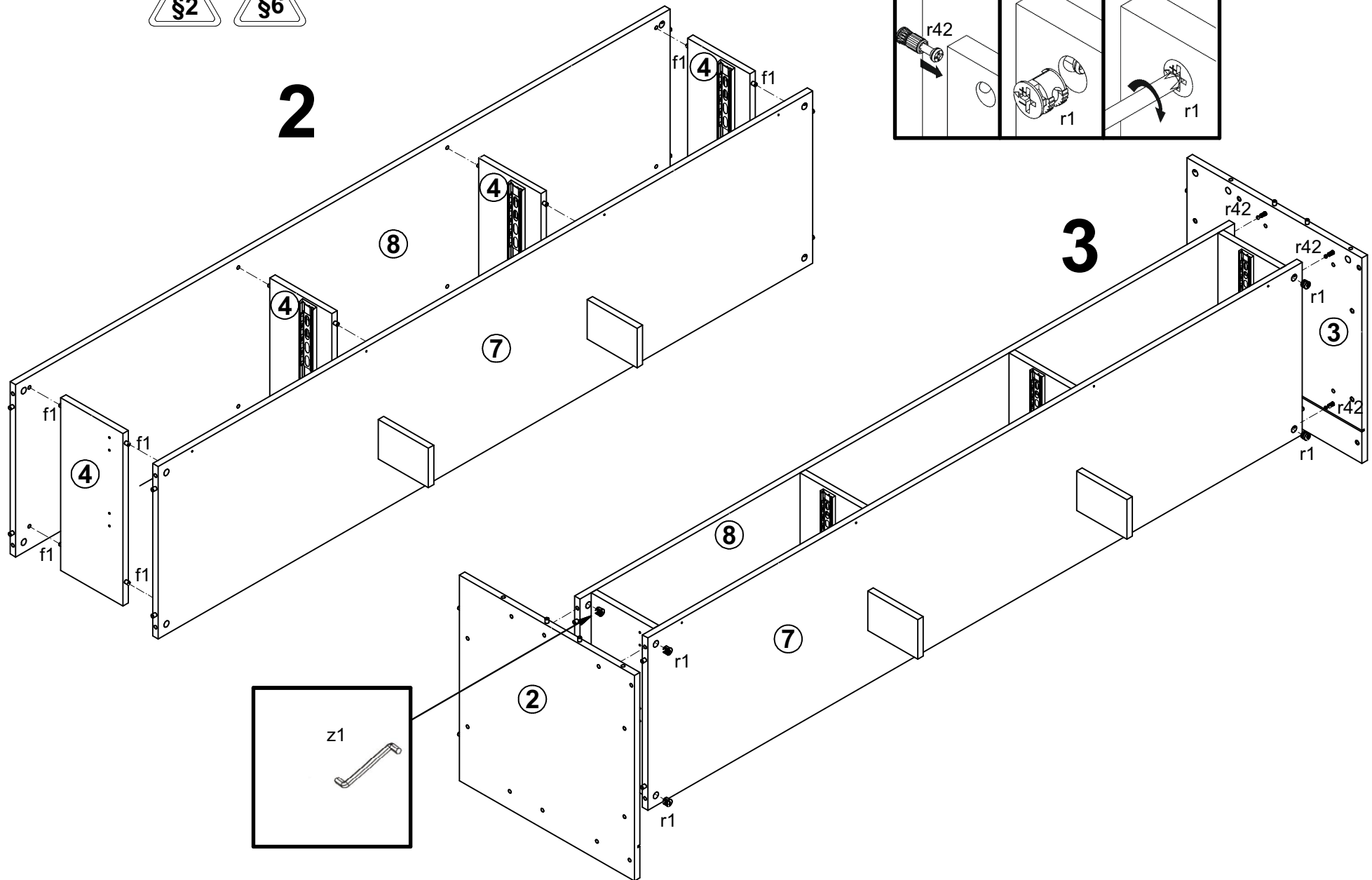
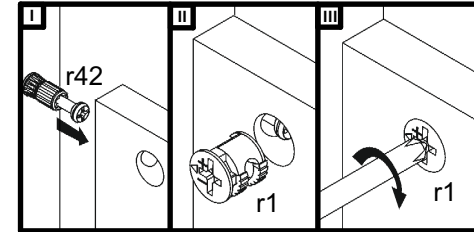


1 

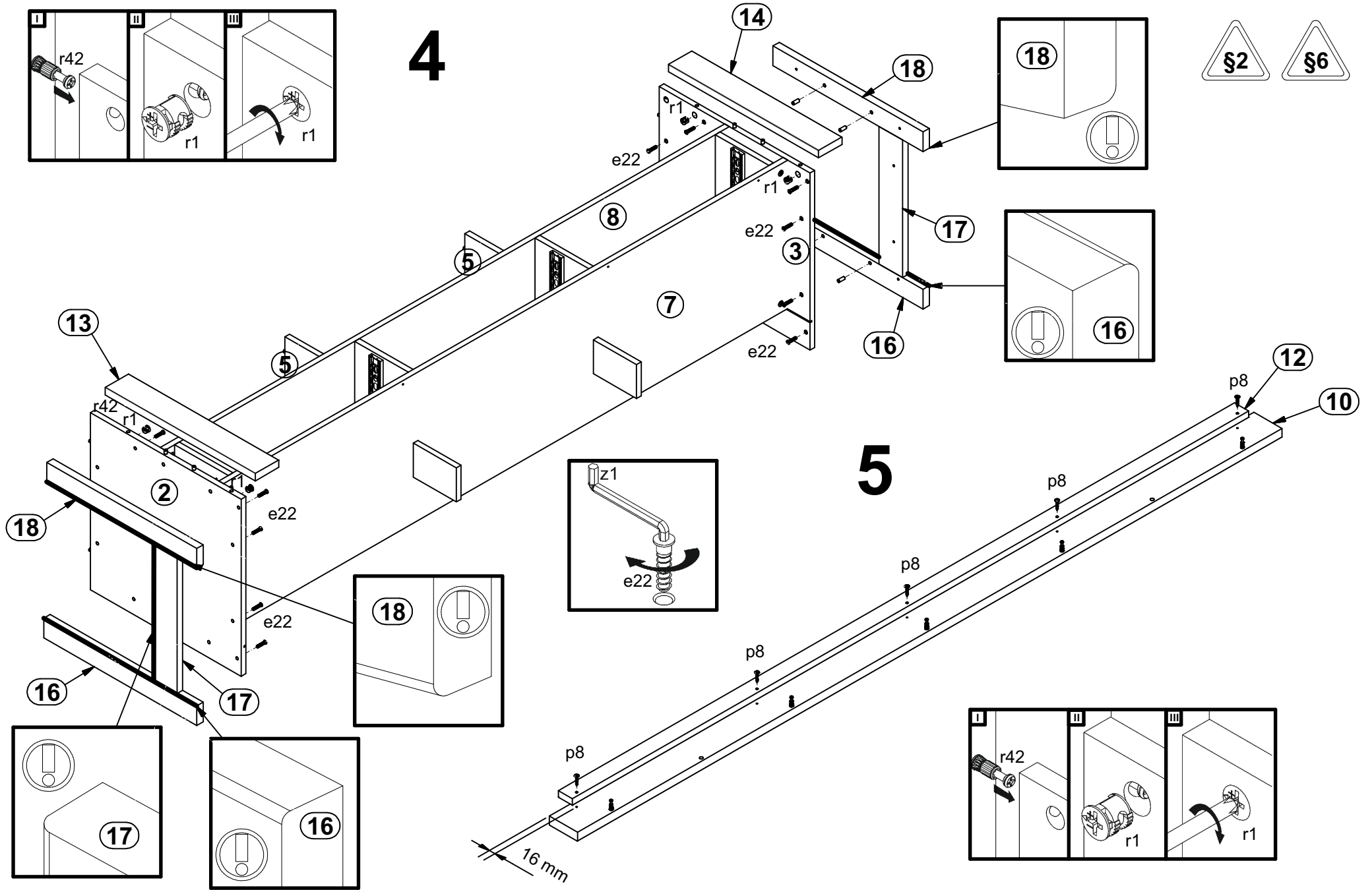
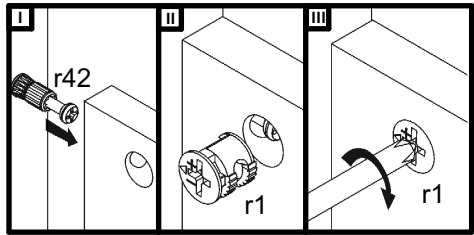


1 

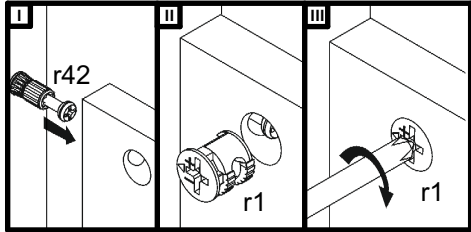
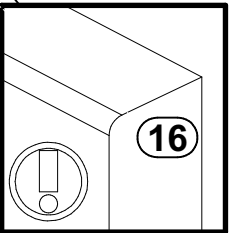
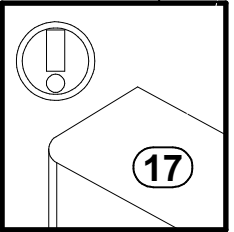
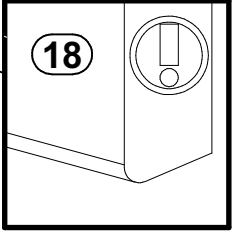
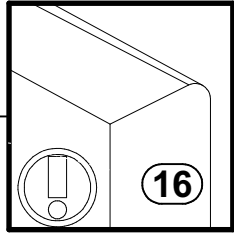
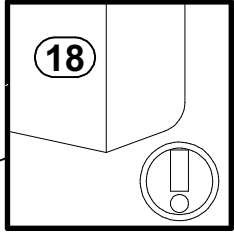
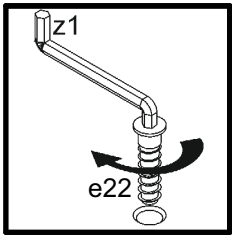




4



5

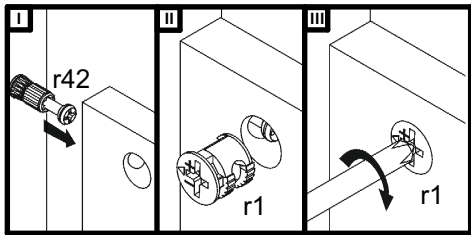
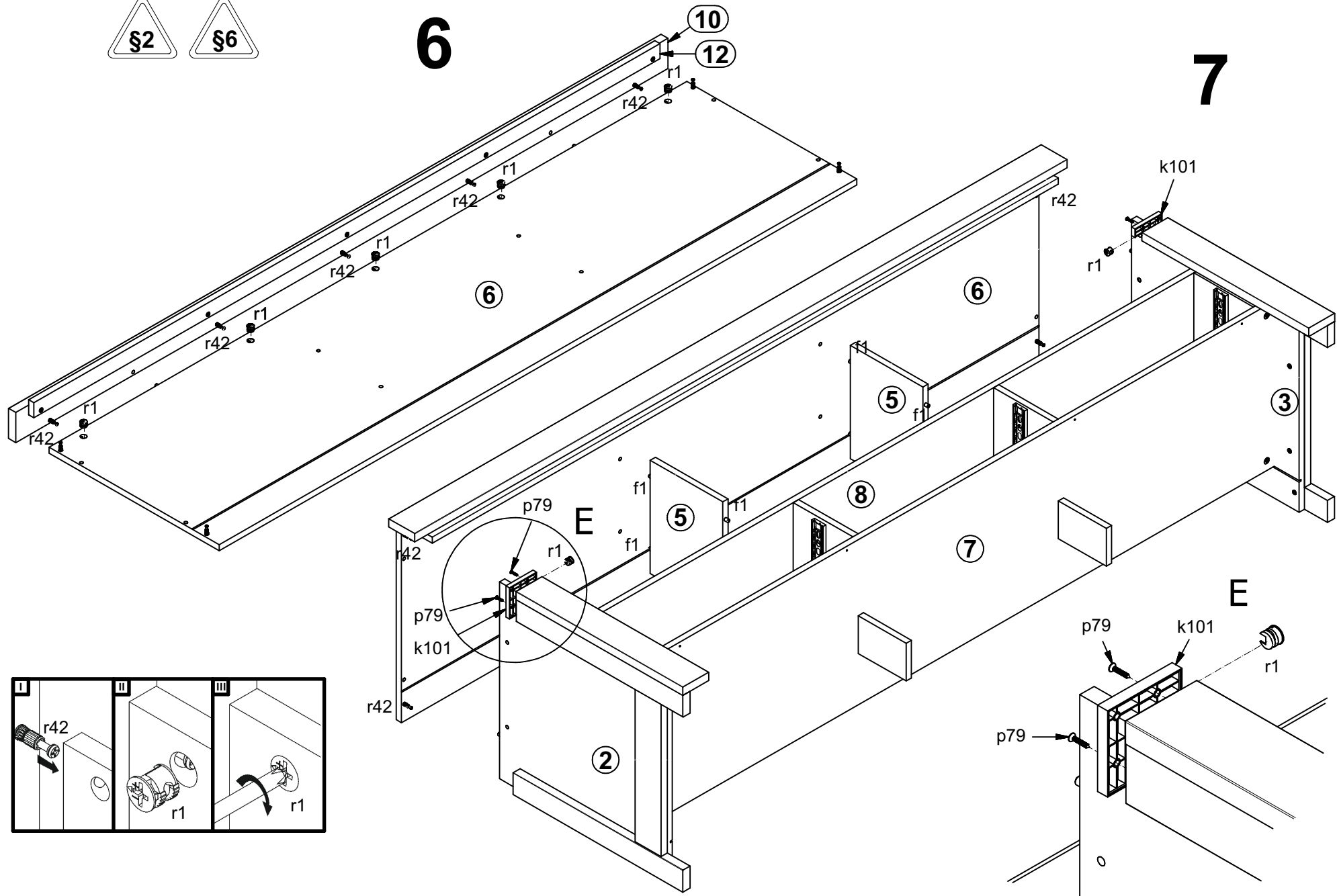


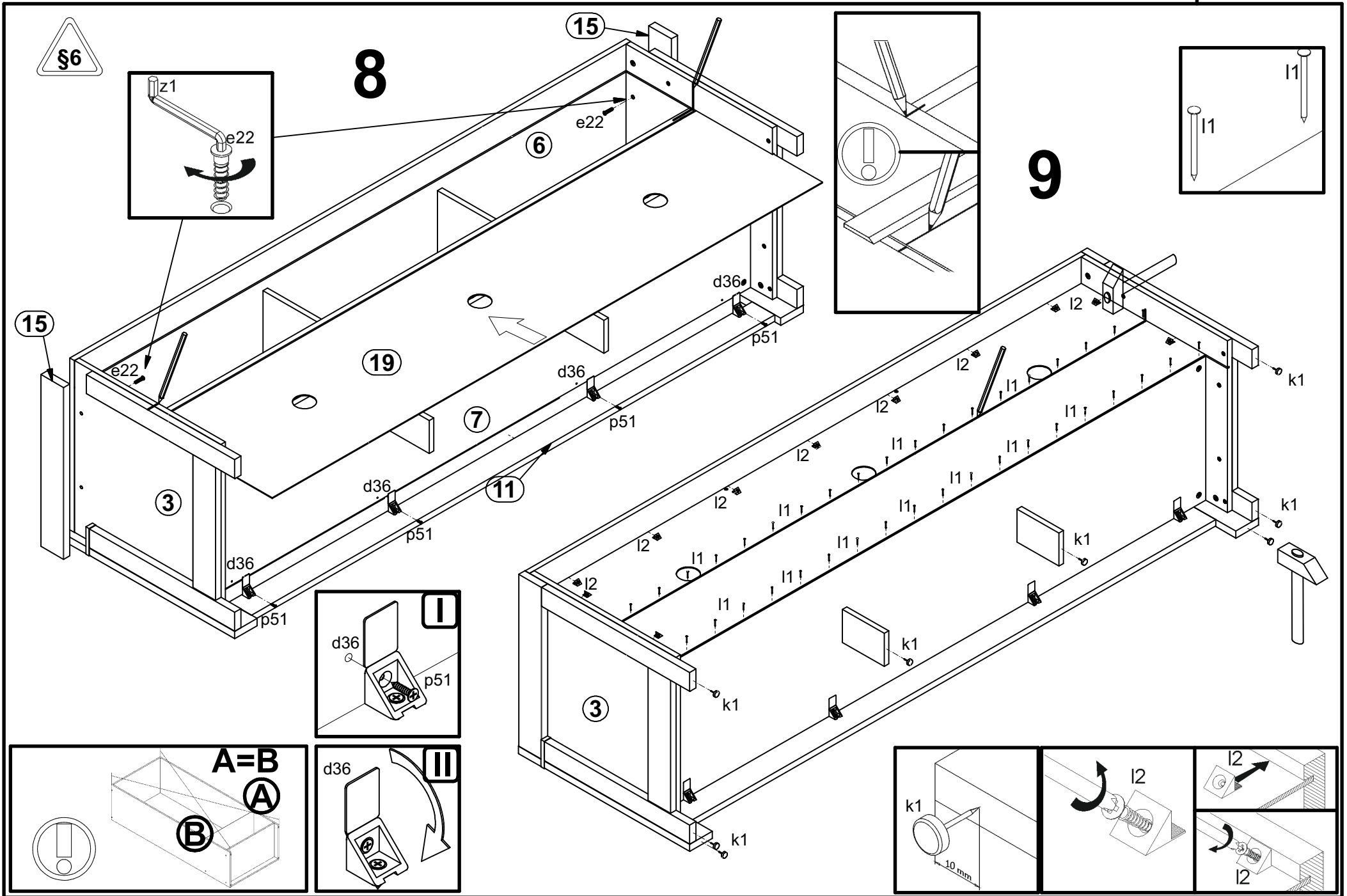
16 mm



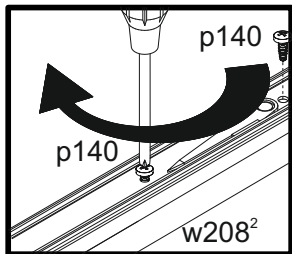
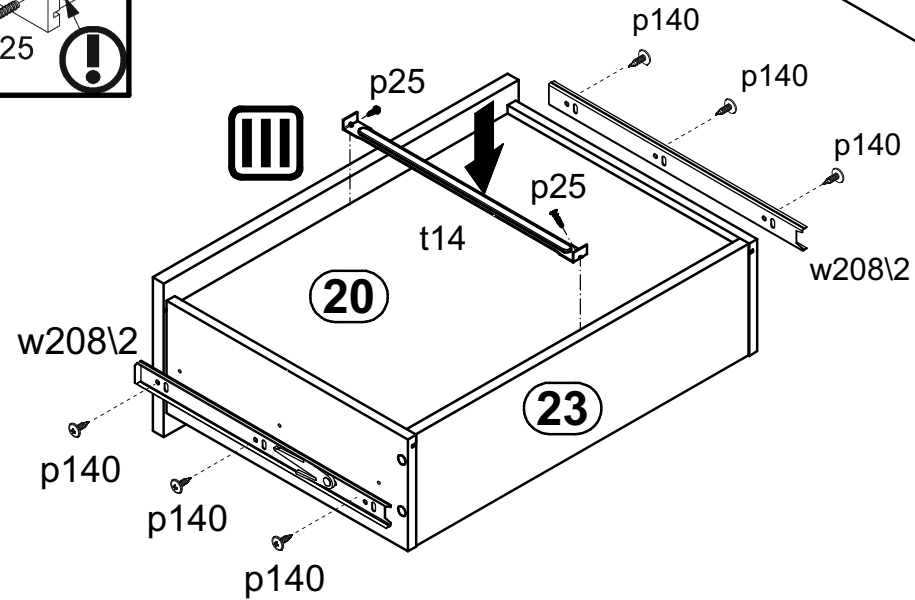
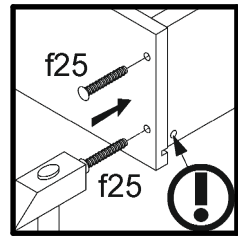
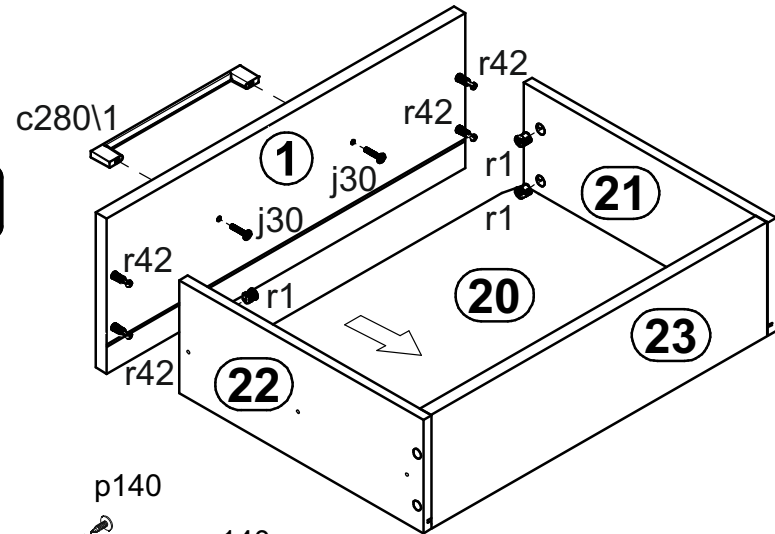
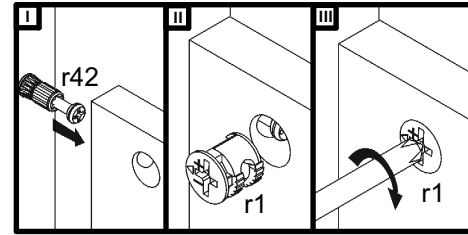
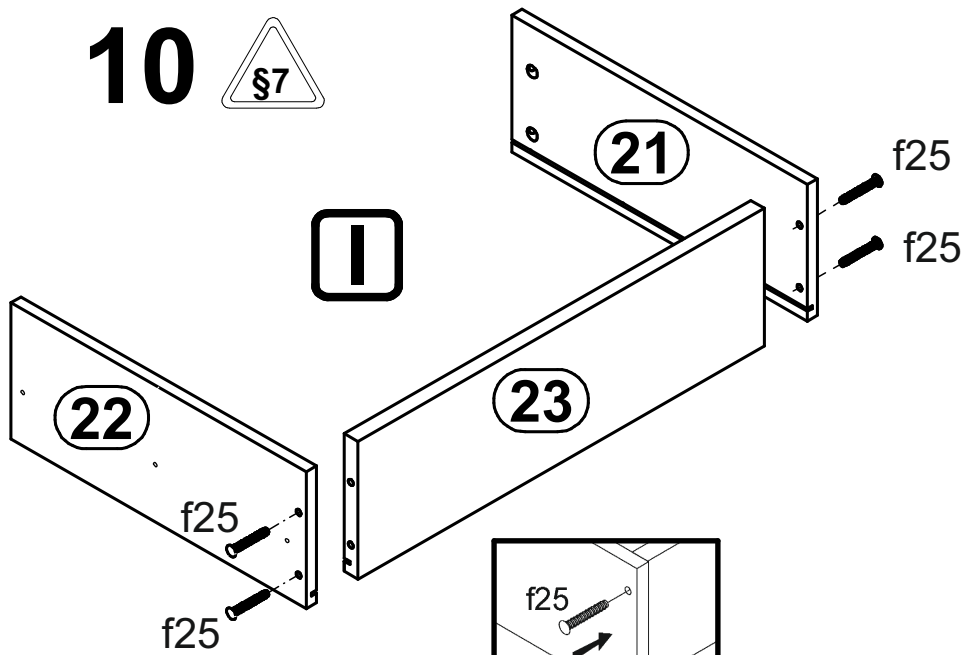
6

7





10



11

